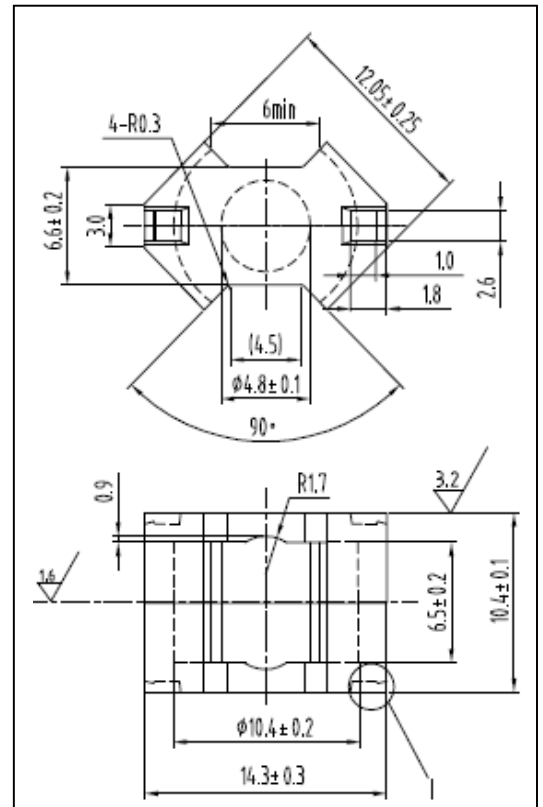


CORE SETS

Effective core parameters

SYMBOL	PARAMETER	VALUE	UNIT
$\Sigma (1/A)$	core factor ( $C_1$ )	0.93	$\text{mm}^{-1}$
$V_e$	effective volume	525.98	$\text{mm}^3$
$l_e$	effective length	22.10	mm
$A_e$	effective area	23.80	$\text{mm}^2$
$A_{\text{min}}$	minimum area	18.10	$\text{mm}^2$
$W_t$	mass of core set	$\approx 3.0$	g



Characteristic

GRADE	AL ( $\text{nH}/\text{N}^2$ )	B (mT)	CORE LOSS (W)
	f=10kHz U=0.25V	H=250A/m f=25kHz T=100°C	f=100kHz B=200mT T=100°C
DMR40	$1800 \pm 25\%$	$\geq 315$	$\leq 0.42$
DMR44	$1800 \pm 25\%$	$\geq 315$	$\leq 0.36$
DMR47	$2000 \pm 25\%$	$\geq 325$	$\leq 0.33$
DMR95	$2300 \pm 25\%$	$\geq 315$	$\leq 0.36$

GRADE	AL ( $\text{nH}/\text{N}^2$ )	$\mu_i$
	f=10kHz U=0.25V	f=10kHz U=0.25V
R4K	$2300 \pm 25\%$	$\approx 4300$
R5K	$2700 \pm 25\%$	$\approx 5000$
R7K	$5250 \pm 25\%$	$\approx 7000$
R10K	$7000 \pm 30\%$	$\approx 10000$
R12K	$\geq 6500$ mirror	$\approx 12000$