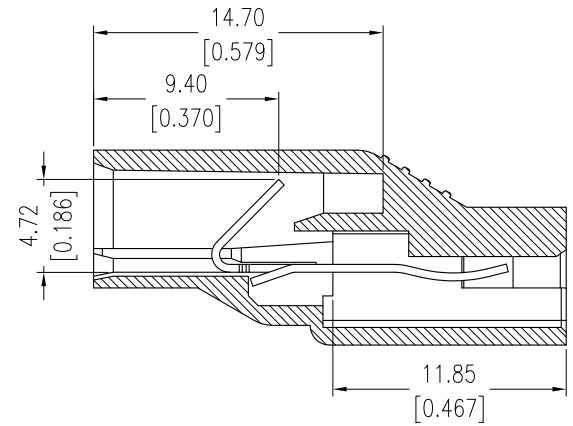
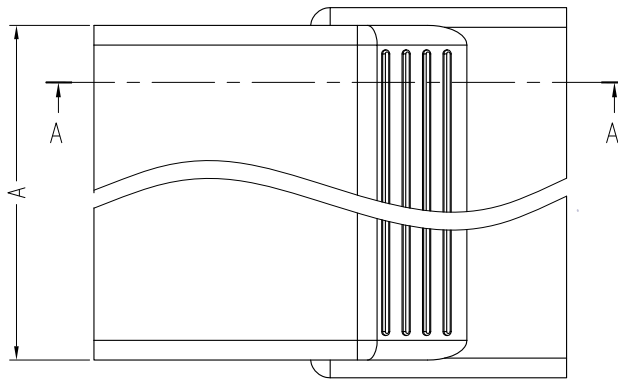


HSF

NOTES:

Rated Current:3.0 AMP @120V.
 Contact Resistance:30mΩ Max.
 Withstand Voltage:600V MAX.
 Insulation Resistance:1000MΩ Min.
 Operation Temperature:-40°C to +105°C
 Applicable Wire Range:
 -Solid Wire: 18 AWG
 -Tin Bonded: 18 AWG(≤16 Strand)

Contact Material:Phosphor Bronze(C5191)
 Contact Plating: Sn over Ni
 Main Body Material: PA66 UL94V-0



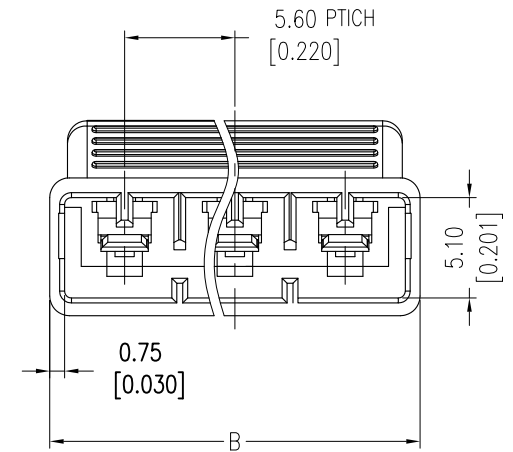
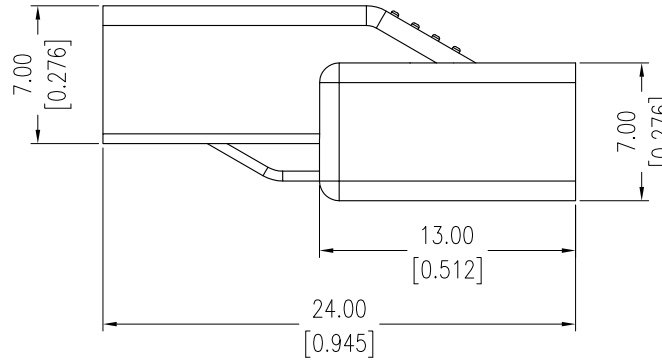
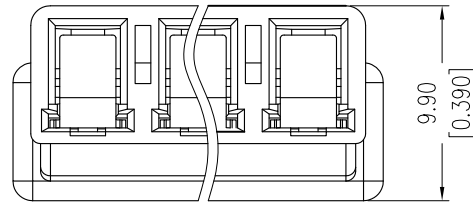
SECTION A-A

Ordering Information

L560 - H - XX - C - 01

No. of Pins
 02: 2 pin
 03: 3 pin

Color
 C= Orange



3	17.00 [0.669]	18.80 [0.740]
2	11.40 [0.449]	13.20 [0.520]
PIN	A	B

				OPERATION	DRAW	DATE	SCALE	Fit	PART NO.
				x.x ±0.40	JYHuang	2015/12/07	UNIT	mm	L560-HXXC01
A1	2015/12/07	ADD DIM. TABLE		x.xx ±0.25	CHECK	DATE	SIZE	A4	TITLE:
AO	2015/06/15	NEW		x.xxx ±0.15	APPROVE	DATE	SHEET	1/1	LED CONN.FEMALE L=24.0
REV	DATE	MODIFICATION DESCRIPTION	CHANGE	Angle ± 3'			PROJ.		Customer NO.
				DIM TOL					