

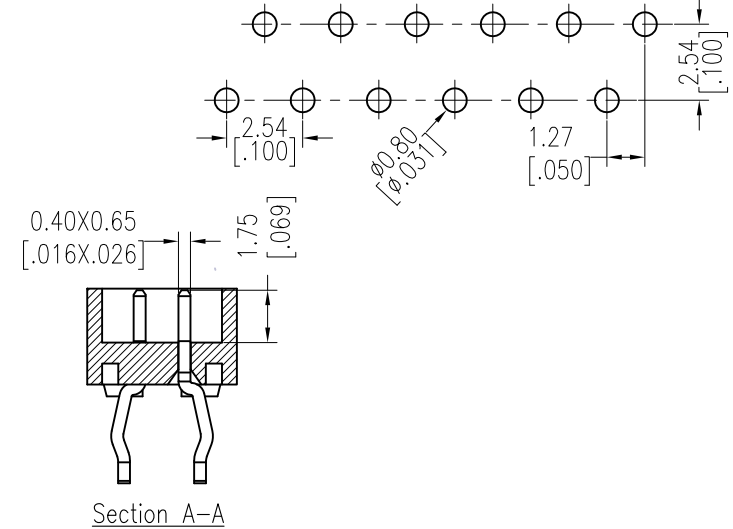
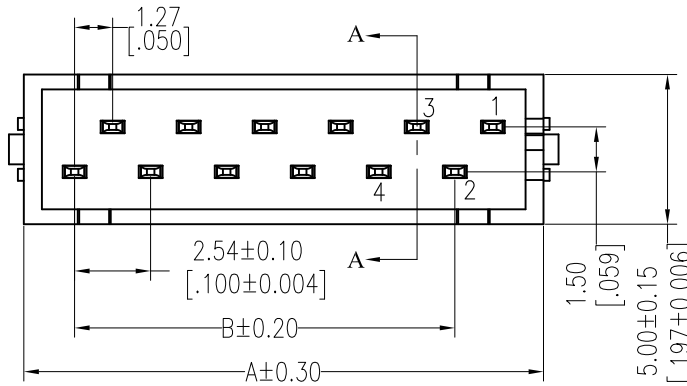
# HSF

**NOTES:**

Current Rating: 1.0AMP  
 Contact Resistance: 20mΩ Max  
 Withstand Voltage: 500V AC/DC  
 Insulation Resistance: 1000MΩ Min  
 Operation Temperature: -40°C to +105°C

Contact Material: Phosphor Bronze  
 Contact plating: Sn over Ni  
 Insulator Material: PBT+30%G.F UL94V-0

Recommended P.C.B Layout(Top Side)  
 (PCB BOARD TOLERANCE ±0.05)

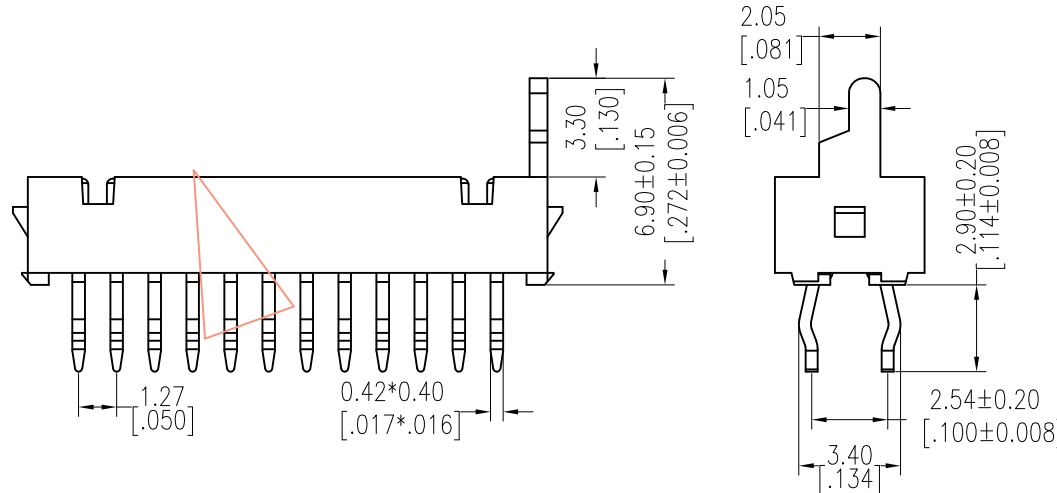


## Ordering Information

3900 -XX MS SN AN T 01

No. of pins  
 04P 12P  
 06P 14P  
 08P 16P  
 10P 18P  
 20P

Contact Plating  
 SN= Tin  
 T= Tube



### Dimensional & Ordering Information

Circuit	Part No.	Dimension		Q'TY /Tube
		A	B	
04	3900-04MSSNANT01	7.20	2.54	71pcs
06	3900-06MSSNANT01	9.74	5.08	54pcs
08	3900-08MSSNANT01	12.28	7.62	44pcs
10	3900-10MSSNANT01	14.82	10.16	37pcs
12	3900-12MSSNANT01	17.36	12.70	31pcs
14	3900-14MSSNANT01	19.90	15.24	28pcs
16	3900-16MSSNANT01	22.44	17.78	25pcs
18	3900-18MSSNANT01	24.98	20.32	22pcs
20	3900-20MSSNANT01	27.52	22.86	20pcs

REV	DATE	MODIFICATION DESCRIPTION	CHANGE	DIM	TOL	OPERATION	DRAW	DATE	SCALE	FIT	PART NO.
A3	2018/05/15	MINI MATCH--1.27mm MRC Connector	-----			OPERATION	DRAW	2018/05/15	UNIT	mm	SEE TABLE
A2	2014/05/28	Micro Match --Mini Match	-----	x.X	±0.40		Ding		SIZE	A4	TITLE: 1.27mm MRC Connector Box Header ▲▲ 180° DIP
A1	2014/04/02	3900-12MSSNANT01:DIMA=17.63--17.36	-----	x.XX	±0.25	CHECK			SHEET	1/1	
A0	2012/10/12	NEW	-----	x.XXX	±0.15	APPROVE			PROJ.	Customer NO.	