

# HSF

## TECHNICAL SPECS:

Current Rating: 3.0AMP  
 Contact Resistance: 10mΩ Max  
 Dielectric Strength: Min 1000Vrms  
 Mechanical Life: Min 500 cycles  
 Mating Pin:  $\varnothing 0.40$  to  $\varnothing 0.66$ mm or 0.50SQ  
 Forces: (polished steel gauge  $\varnothing 0.47$ mm)  
 Insertion: 200g Max/Pin, Withdrawal: 60g/Pin  
 Operation Temperature: -40°C to +105°C

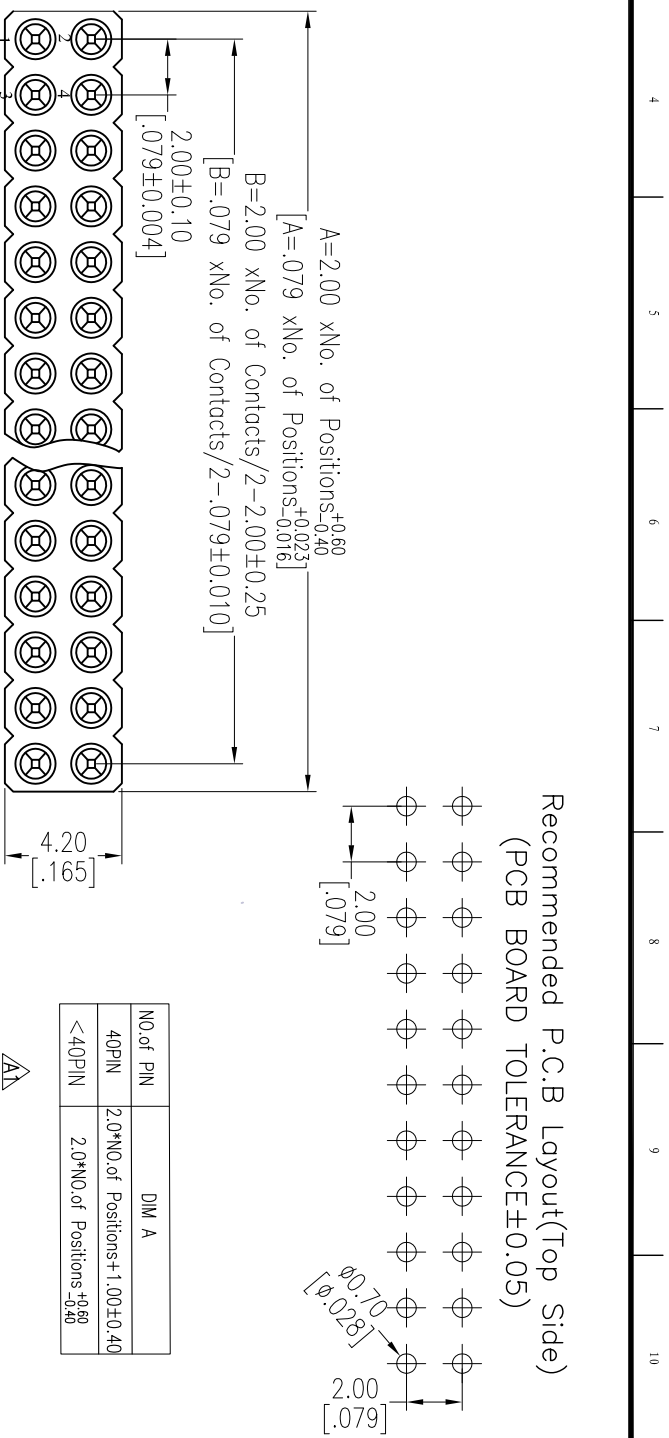
Sleeve: Brass CuZn36Pb3(C36000), Sn over Ni  
 Contact Clip (4 finger): BeCu(C17200), Au or Sn over Ni  
 Insulator Material: PPS+30%G.F.(UL94V-0)

## Ordering Information

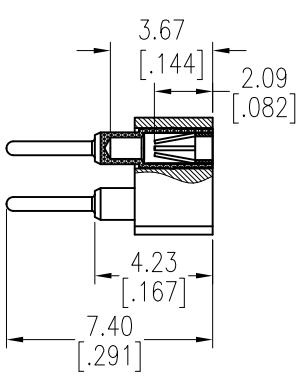
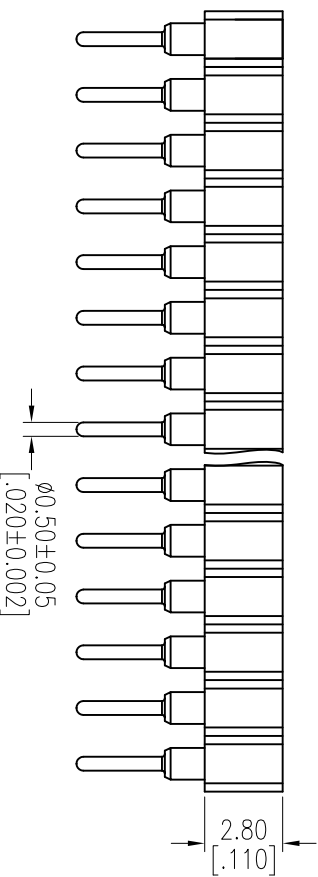
3522-282 XX S XX 074 X 1

No. of Pin: 2-40PIN  
 Contact Plating: S0=Gold Flash/Tin, S3=10u"Gold/Tin, S4=15u"Gold/Tin, S5=30u"Gold/Tin, SN=Tin  
 Packing: A=Tray, T=Tube

Item	Pitch	Mating
Standard	2.00	3512
Alternate		



Recommended P.C.B Layout(Top Side)  
 (PCB BOARD TOLERANCE±0.05)



OPERATION	DRAW	DATE	SCALE	FIT	PART NO.
X.X	wang	2013/05/17	UNIT	mm	3522-282XXSX074X1
X.XX	CHECK	DATE	SIZE	A4	TITLE:
X.XXX			SHEET	1/1	2.00mm MACHINED FEMALE HEADER DUAL ROW 180° H=2.80 L=7.4
Angle	APPROVE	DATE	PROJ.		Customer NO.
DIM	TOL				
CHANGE					
REV	DATE	MODIFICATION DESCRIPTION			
A0	2012/10/18	NEW			
A1	2013/05/17	Modify drawing			