

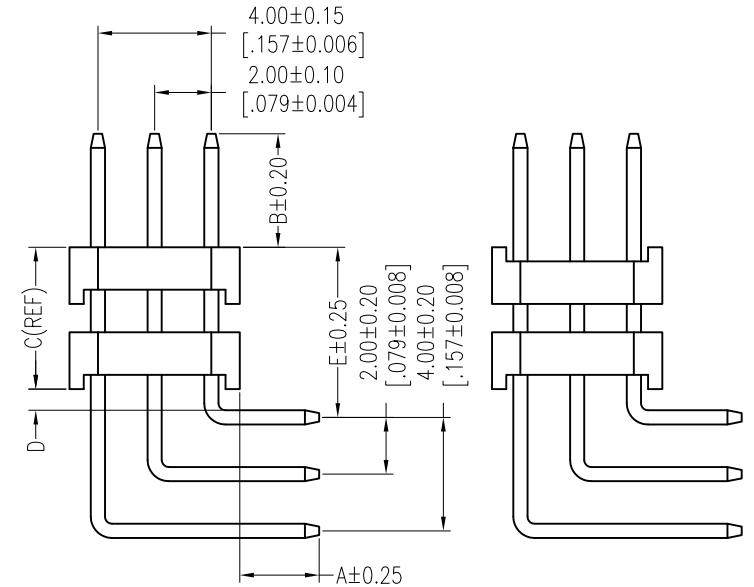
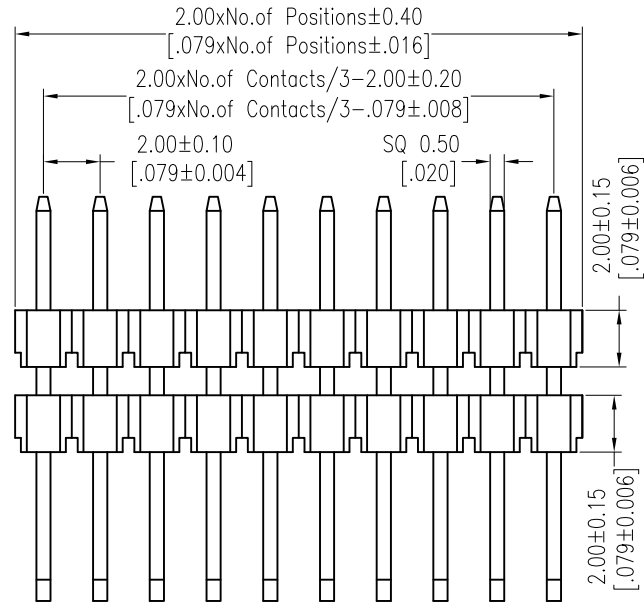
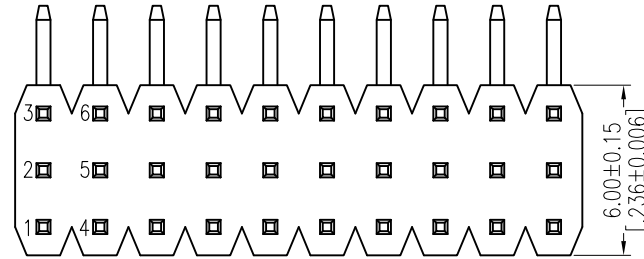
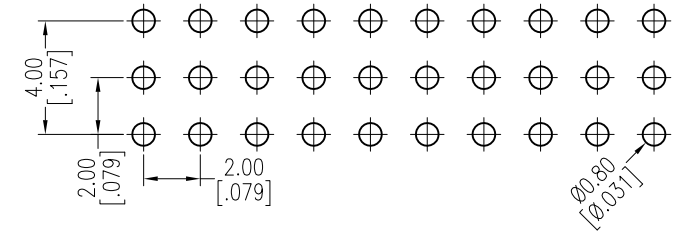
# HSF

**NOTES:**

Rated Current:2.0AMP.  
 Contact Resistance:20mΩ Max.  
 Withstand Voltage:500V AC/DC  
 Insulation Resistance:1000MΩ Min.  
 Operation Temperature:-40°C to +105°C

Contact Material:Brass  
 Contact Plating:Au or Sn Over Ni  
 Insulator Material:PA9T+33%G.F UL94V-0 BK

Recommended P.C.B Layout (Top Side)  
 (PCB BOARD TOLERANCE±0.05)



## Ordering Information

1220-23 XX XX R XXX C 0 XX

No.of Pins Per Row:03~40	Contact Plating G0=Gold Flash G3=10u"Gold G4=15u"Gold G5=30u"Gold S0=Gold Flash/Tin S3=10u"Gold/Tin S4=15u"Gold/Tin S5=30u"Gold/Tin SN=Tin SM=Matte Tin	Pin Length(Short) L=A+B+C+D+1.0 Standard:	Insulator C=PA9T	Packing 0=PE Bag T=Tube	Series No. 01~99
-----------------------------	---	---	---------------------	-------------------------------	---------------------

Item	Pin Length	A	D	B	E	Mating
Standard	---	2.80	0.75	4.00	---	2263
Alternate						

REV	DATE	MODIFICATION DESCRIPTION	CHANGE	OPERATION	DRAW	DATE	SCALE	Fit	PART NO.
				X.X ±0.40	<i>Liu</i>	2018.01.19	UNIT	mm	1220-23XXXXRXXXC0XX
A1	2018/01/19	Modify P/N		X.XX ±0.25	CHECK	DATE	SIZE	A4	TITLE: PH2.00 THREE ROW DOUBLE PLASTIC 90°H=2.0 CONCAVE BENDING
AO	2012/04/26	NEW	-----	X.XXX ±0.15	APPROVE	DATE	SHEET	1/1	Customer NO.
				Angle ± 3'			PROJ.		
				DIM TOL					