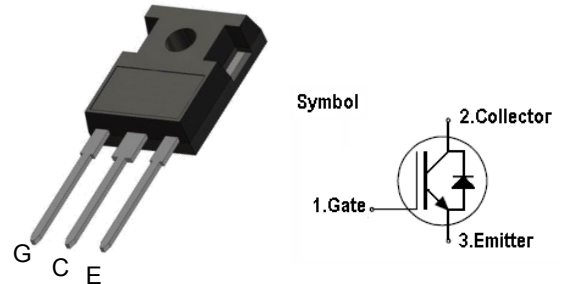


IGBT in TO-247

Features

- 1200V 15A, $V_{CE(sat)(typ.)} = 2.6 V @ 15A$
- High speed switching
- Higher system efficiency
- Soft current turn-off waveforms
- Square RBSOA



Mechanical Data

- **Case:** TO-247 (plastic package).
Lead free; RoHS compliant
- **Molding Compound Flammability Rating:**
UL 94 V-0
- **Terminals:** High temperature soldering guaranteed:
260 °C/10 sec. at terminals

Benefits

- High Efficiency for Motor Control
- Rugged Performance
- Excellent Current Sharing in Parallel Operation

Applications

CREATEK's IGBTs offer lower losses and higher energy for application such as motor drive ,UPS, inverter and other soft switching applications.

Absolute Maximum Ratings

Symbol	Parameter	Value	Units
V_{CES}	Collector-Emitter Voltage	1200	V
V_{GES}	Gate-Emitter Voltage	± 30	V
I_C	Continuous Collector Current ($T_C=25^\circ C$)	30	A
	Continuous Collector Current ($T_C=100^\circ C$)	15	A
I_{CM}	Pulsed Collector Current (Note 1)	60	A
I_F	Diode Continuous Forward Current ($T_C=100^\circ C$)	15	A
I_{FM}	Diode Maximum Forward Current (Note 1)	60	A
t_{sc}	Short Circuit Withstand Time	10	us
P_D	Maximum Power Dissipation ($T_C=25^\circ C$)	170	W
	Maximum Power Dissipation ($T_C=100^\circ C$)	68	W
T_J	Operating Junction Temperature Range	-55 to +150	$^\circ C$
T_{STG}	Storage Temperature Range	-55 to +150	$^\circ C$

Thermal Characteristics

Symbol	Parameter	Max.	Units
$R_{th j-c}$	Thermal Resistance, Junction to case for IGBT	0.48	$^\circ C/W$
$R_{th j-c}$	Thermal Resistance, Junction to case for Diode	0.85	$^\circ C/W$
$R_{th j-a}$	Thermal Resistance, Junction to Ambient	40	$^\circ C/W$

Electrical Characteristics (TC=25°C unless otherwise noted)

Symbol	Parameter	Test Conditions	Min.	Typ.	Max.	Units
BV_{CES}	Collector-Emitter Breakdown Voltage	$V_{GE} = 0V, I_C = 250\mu A$	1200	-	-	V
I_{CES}	Collector-Emitter Leakage Current	$V_{CE} = 1200V, V_{GE} = 0V$	-	-	250	μA
I_{GES}	Gate Leakage Current, Forward	$V_{GE} = 30V, V_{CE} = 0V$	-	-	100	nA
	Gate Leakage Current, Reverse	$V_{GE} = -30V, V_{CE} = 0V$	-	-	-100	nA
$V_{GE(th)}$	Gate Threshold Voltage	$V_{GE} = V_{CE}, I_C = 250\mu A$	4.5	-	5.5	V
$V_{CE(sat)}$	Collector-Emitter Saturation Voltage	$V_{GE} = 15V, I_C = 15A$	-	2.6	2.9	V
Q_g	Total Gate Charge	$V_{CC} = 960V$ $V_{GE} = 15V$ $I_C = 15A$	-	65	-	nC
Q_{ge}	Gate-Emitter Charge		-	21	-	nC
Q_{gc}	Gate-Collector Charge		-	23	-	nC
$t_{d(on)}$	Turn-on Delay Time	$V_{CC} = 600V$ $V_{GE} = 15V$ $I_C = 15A$ $R_G = 28\Omega$ Inductive Load $T_C = 25^\circ C$	-	25	-	ns
t_r	Turn-on Rise Time		-	59	-	ns
$t_{d(off)}$	Turn-off Delay Time		-	273	-	ns
t_f	Turn-off Fall Time		-	312	-	ns
Eon	Turn-on Switching Loss		-	901	-	mJ
Eoff	Turn-off Switching Loss		-	931	-	mJ
Ets	Total Switching Loss		-	1832	-	mJ
C_{ies}	Input Capacitance	$V_{CE} = 25V$ $V_{GE} = 0V$ $f = 100kHz$	-	665	-	pF
C_{oes}	Output Capacitance		-	98	-	pF
C_{res}	Reverse Transfer Capacitance		-	72	-	pF
R_{Gint}	Integrated gate resistor		12	12.2	12.4	Ω

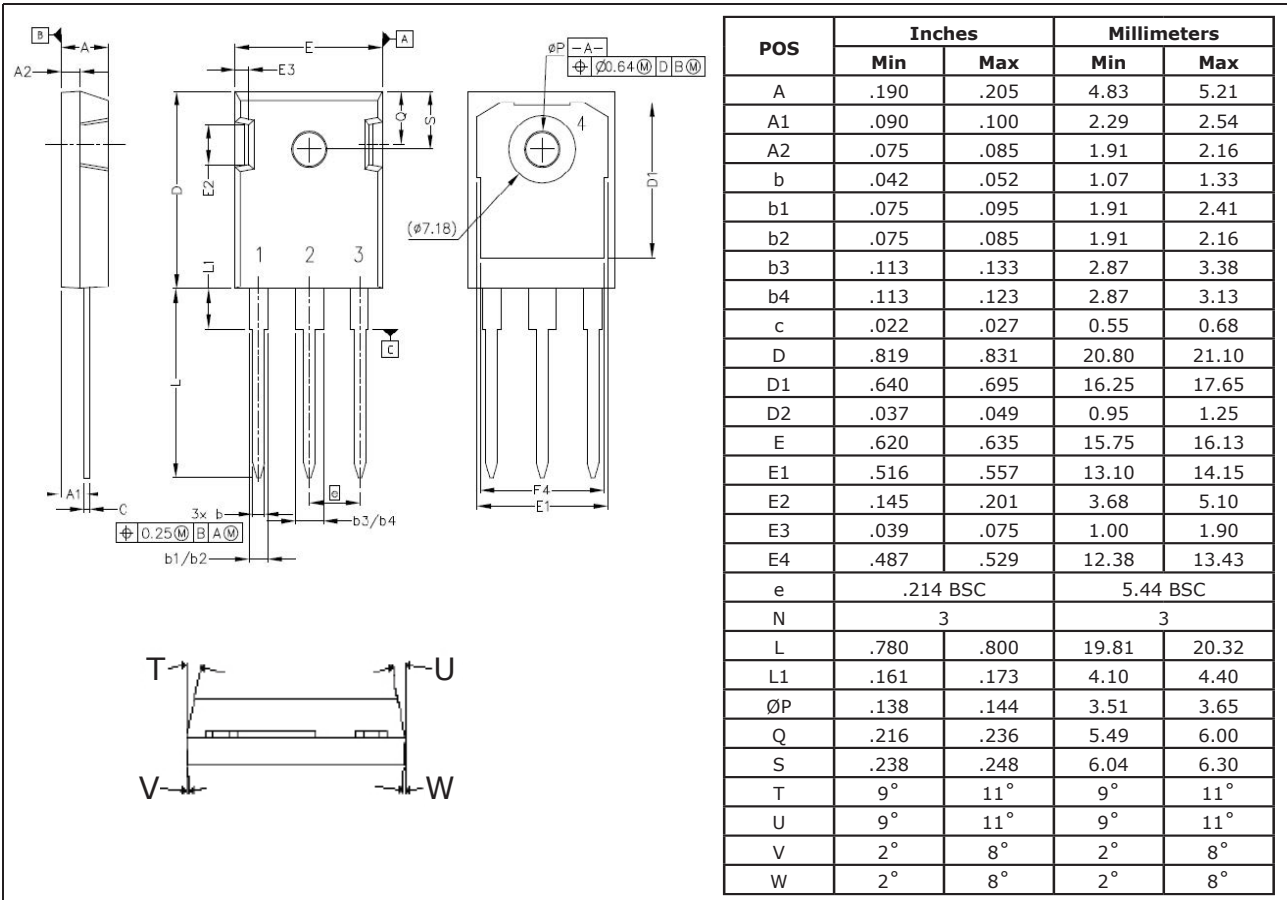
Electrical Characteristics of Diode (TC=25°C unless otherwise noted)

Symbol	Parameter	Test Conditions	Min.	Typ.	Max.	Units
V_F	Diode Forward Voltage	$I_F = 15A$	-	1.8	2.2	V
t_{rr}	Diode Reverse Recovery Time	$V_{CE} = 600V$ $I_F = 15A$	-	135	160	ns
I_{rr}	Diode peak Reverse Recovery Current		-	15.5	17	A
Q_{rr}	Diode Reverse Recovery Charge	$di_F/dt = 500A/us$	-	1335	1600	nC

Notes:

1. Repetitive Rating: Pulse width limited by maximum junction temperature

Package Dimensions



Ordering information

Order code	Package	Packaging option	Base quantity	Packaging specification
CXG120P01H	TO-247	Tube/BOX	2000pcs / Box	EIA STD RS-481

Revision history

Date	Revision	Changes
23-May-2016	1.0	Initial release

CAUTION / WARNING

Information in this document is believed to be accurate and reliable. However, CREATEK does not give any representations or warranties, expressed or implied, as to the accuracy or completeness of such information and shall have no liability for the consequences of use of such information.

Users should independently evaluate the suitability of and test each product selected for their own applications, and CREATEK assumes no liability whatsoever relating to the choice, selection or use of the CREATEK products and services described herein.

CREATEK reserves the right to change or update, without notice, any information contained in this publication; to change, without notice, the design, construction, processing, or specification of any product; and to discontinue or limit production or distribution of any product.

Information in this document supersedes and replaces all information previously supplied.

Products are not designed, authorized or warranted to be suitable for use in medical, military, aircraft, space or life support equipment, nor in applications where failure or malfunction of an CREATEK product can reasonably be expected to result in personal injury, death or severe property or environmental damage. CREATEK accepts no liability for inclusion and/or use of CREATEK products in such equipment or applications and therefore such inclusion and/or use is at the customer's own risk.


This document as well as the item(s) described herein may be subject to export control regulations. Export might require a prior authorization from national authorities.

Resale of CREATEK products with provisions different from the statements and/or technical features set forth in this document shall immediately void any warranty granted by CREATEK for the CREATEK product or service described herein and shall not create or extend in any manner whatsoever, any liability of CREATEK.

CREATEK expressly disclaims all implied warranties regarding the information contained herein, including, but not limited to, any implied warranties of merchantability or fitness for a particular purpose. CREATEK only obligations are those in the CREATEK Standard Terms and Conditions of Sale and in no case will CREATEK be liable for any incidental, indirect, or consequential damages arising from the sale, resale, use, or misuse of its products.

Specifications are subject to change without notice

© Copyright 2009, CREATEK Microelectronics

 CREATEK® is a registered trademark of CREATEK Microelectronics

All rights reserved