



SOD-323 Plastic-Encapsulate Diodes

B5817WSZ-5819WSZ SCHOTTKY BARRIER DIODE

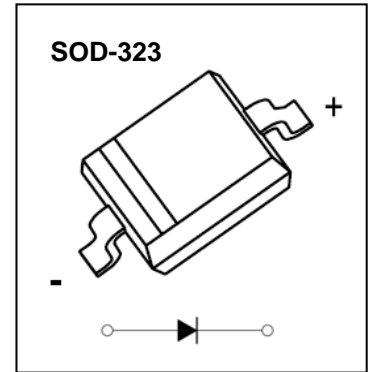
FEATURES

For use in low voltage, high frequency inverters
Free wheeling, and polarity protection applications

MARKING:

B5817WSZ:SJ	B5818WSZ:SK	B5819WSZ:SL

The marking bar indicates the cathode

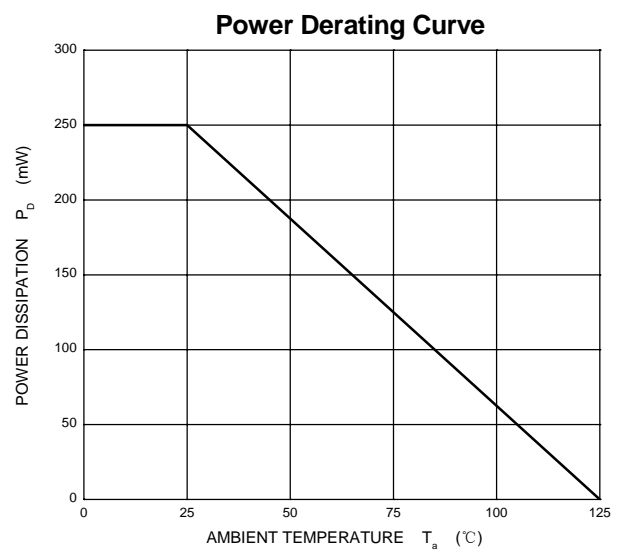
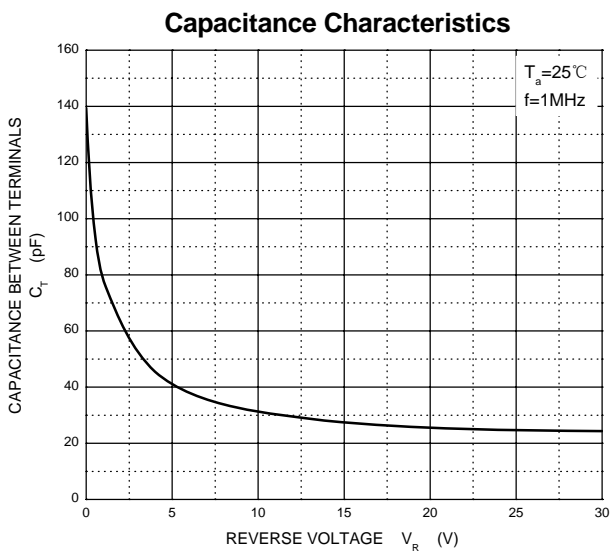
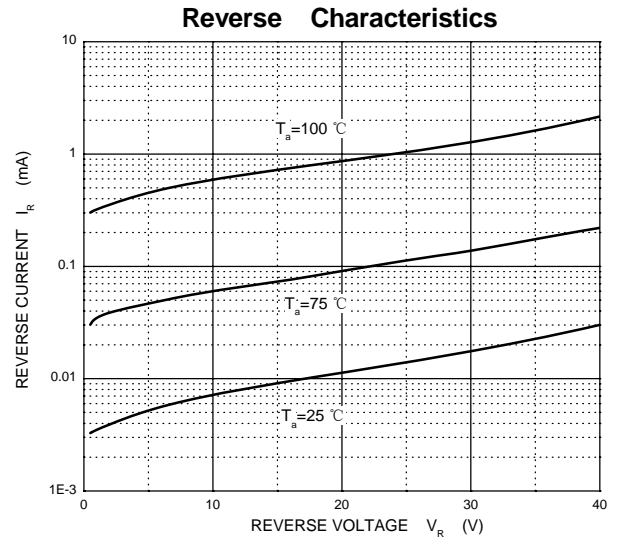
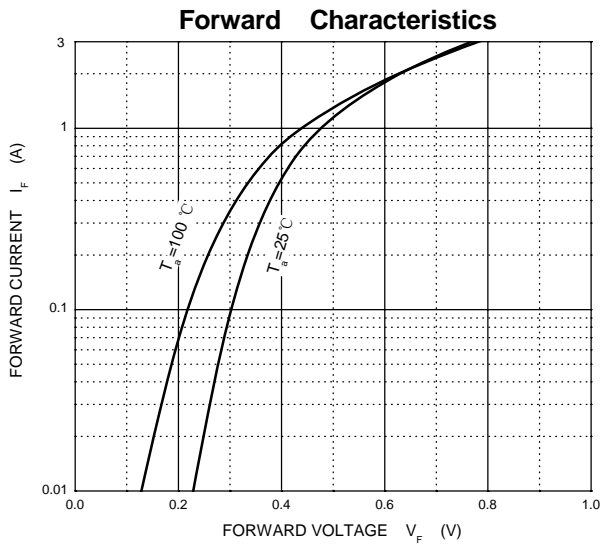


Maximum Ratings and Electrical Characteristics, Single Diode @Ta=25°C

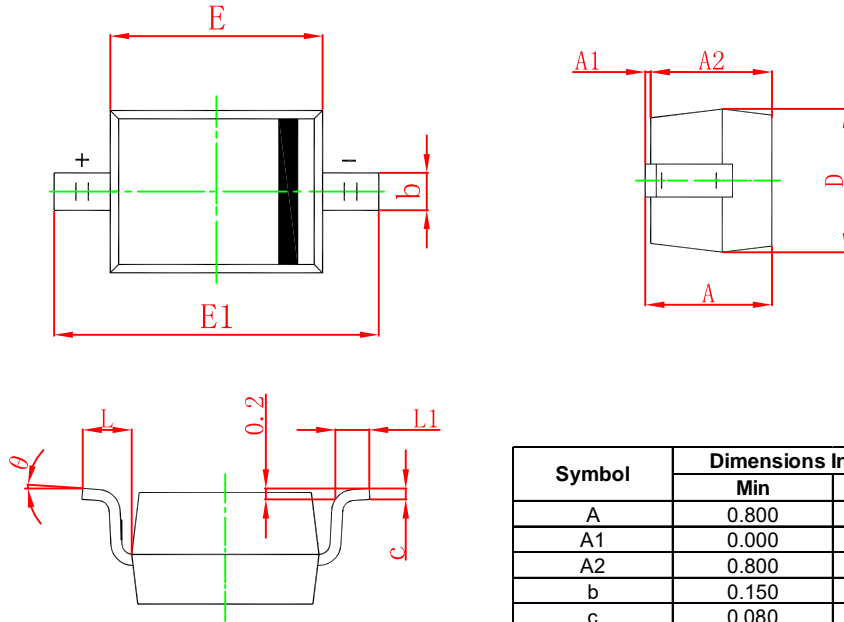
Parameter	Symbol	B5817WSZ	B5818WSZ	B5819WSZ	Unit
Non-repetitive peak reverse voltage	V_{RM}	20	30	40	V
Peak repetitive peak reverse voltage	V_{RRM}	20	30	40	V
Working peak reverse voltage	V_{RWM}				
DC blocking voltage	V_R				
RMS reverse voltage	$V_{R(RMS)}$	14	21	28	V
Average rectified output current	I_O	1			A
Forward surge current	I_{FSM}	9			A
Repetitive peak forward current	I_{FRM}	1.5			A
Power dissipation	P_d	250			mW
Thermal resistance junction to ambient	$R_{\theta JA}$	400			°C/W
Operation Junction temperature Range	T_J	-40~+125			°C
Storage temperature Range	T_{STG}	-55~+150			°C

ELECTRICAL CHARACTERISTICS (Ta=25°C unless otherwise specified)

Parameter	Symbol	Test conditions	Min	Max	Unit
Reverse breakdown voltage	$V_{(BR)}$	$I_R=1mA$			V
		B5817WSZ	20		
		B5818WSZ B5819WSZ	30 40		
Reverse voltage leakage current	I_R	$V_R=20V$		1	mA
		$V_R=30V$			
		$V_R=40V$			
Forward voltage	V_F	B5817WSZ	$I_F=1A$	0.45	V
			$I_F=3A$	0.75	
		B5818WSZ	$I_F=1A$	0.55	V
			$I_F=3A$	0.875	
		B5819WSZ	$I_F=1A$	0.6	V
			$I_F=3A$	0.9	
Diode capacitance	C_D	$V_R=4V, f=1MHz$		120	pF

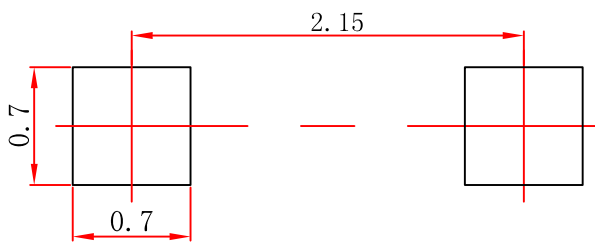


SOD-323 Package Outline Dimensions



Symbol	Dimensions In Millimeters		Dimensions In Inches	
	Min	Max	Min	Max
A	0.800	1.200	0.035	0.047
A1	0.000	0.100	0.000	0.004
A2	0.800	1.100	0.031	0.040
b	0.150	0.400	0.006	0.016
c	0.080	0.150	0.003	0.006
D	1.150	1.400	0.045	0.055
E	1.600	1.800	0.062	0.071
E1	2.300	2.800	0.091	0.110
L	0.300	0.500	0.012	0.020
L1	0.200	0.500	0.008	0.020
θ	0°	8°	0°	8°

SOD-323 Suggested Pad Layout



Note:

1. Controlling dimension: in millimeters.
2. General tolerance: $\pm 0.05\text{mm}$.
3. The pad layout is for reference purposes only.

NOTICE

JSCJ reserves the right to make modifications, enhancements, improvements, corrections or other changes without further notice to any product herein. JSCJ does not assume any liability arising out of the application or use of any product described herein.

SOD-323 Tape and Reel

SOD-323 Embossed Carrier Tape

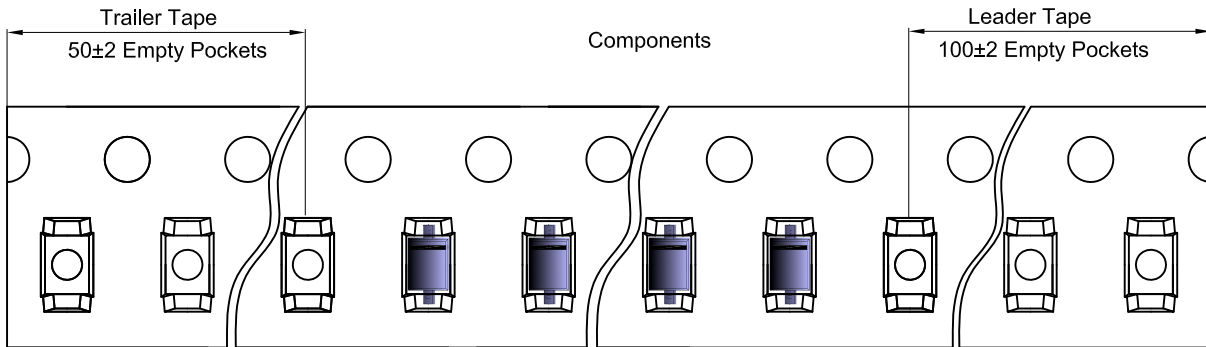


Packaging Description:

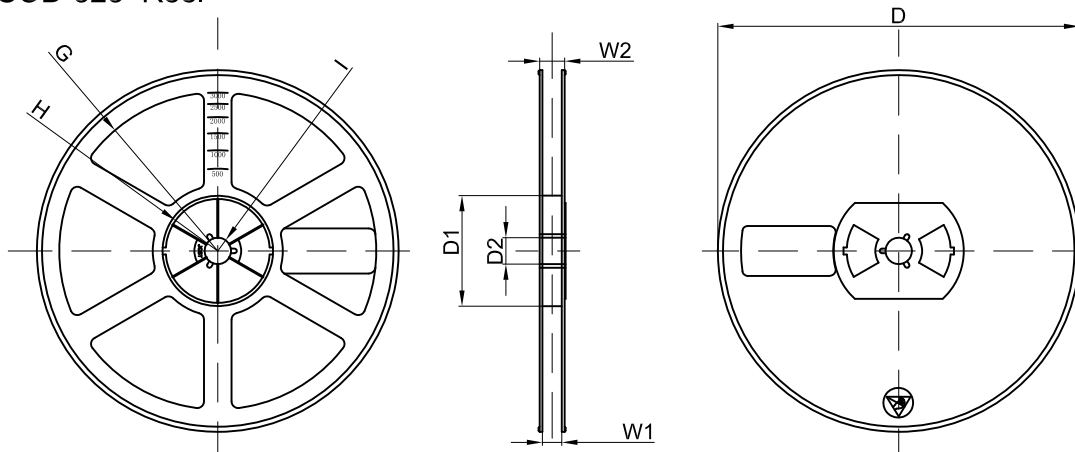
SOD-323 parts are shipped in tape. The carrier tape is made from a dissipative (carbon filled) polycarbonate resin. The cover tape is a multilayer film (Heat Activated Adhesive in nature) primarily composed of polyester film, adhesive layer, sealant, and anti-static sprayed agent. These reeled parts in standard option are shipped with 3,000 units per 7" or 17.8cm diameter reel. The reels are clear in color and is made of polystyrene plastic (anti-static coated).

Dimensions are in millimeter										
Pkg type	A	B	C	d	E	F	P0	P	P1	W
SOD-323	1.48	3.3	1.25	Ø1.50	1.75	3.50	4.00	4.00	2.00	8.00

SOD-323 Tape Leader and Trailer



SOD-323 Reel



Dimensions are in millimeter								
Reel Option	D	D1	D2	G	H	I	W1	W2
7" Dia	Ø178.00	54.40	13.00	R78.00	R25.60	R6.50	9.50	12.30

REEL	Reel Size	Box	Box Size(mm)	Carton	Carton Size(mm)	G.W.(kg)
3000 pcs	7 inch	45,000 pcs	203×203×195	180,000 pcs	438×438×220	