



microSIM Card Connector

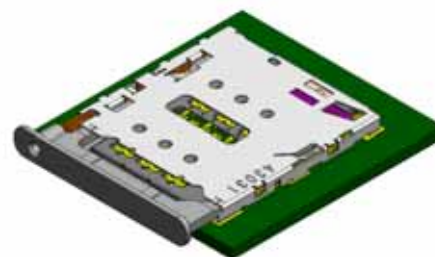
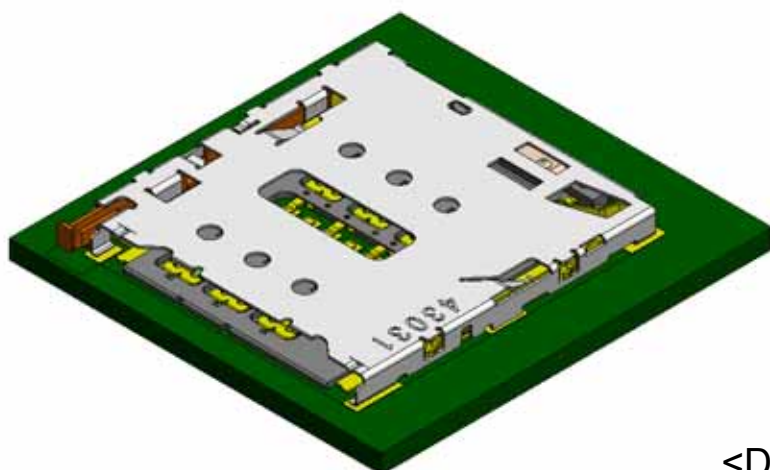
CONNECTOR

MB-0271-1

April 2014

SF58 Series

RoHS Compliant



<Drawing when a tray is inserted>

Note: Tray is not included. Tray is to be prepared by customers.

<<Outline>>

Smartphones and tablet PC equipping microSIM (Mini UICC) Cards are increasing.

The SF58 Series is a push-eject type (ejected by pushing pin) connector compatible with the micro SIM card.

(SIM: Subscriber Identify Module)

Features

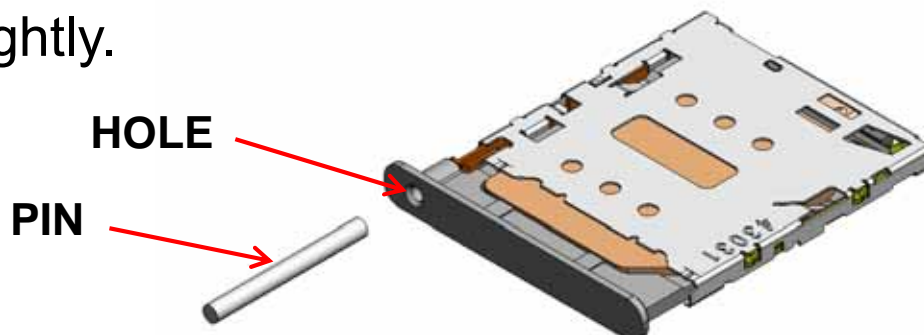
- 1.3mm height, 15.5mm width, and 16.35mm depth, low-profile, space saving.
- Card mis-insertion measures, with card detection switch (normal open).
- Structure that enables visual check of terminal area after SMT Mounting.
- Superior resistance against drop with original lock structure.
- Pb-free, halogen-free compliant product.
- Supports automated mounting with embossed tape.

General Specifications

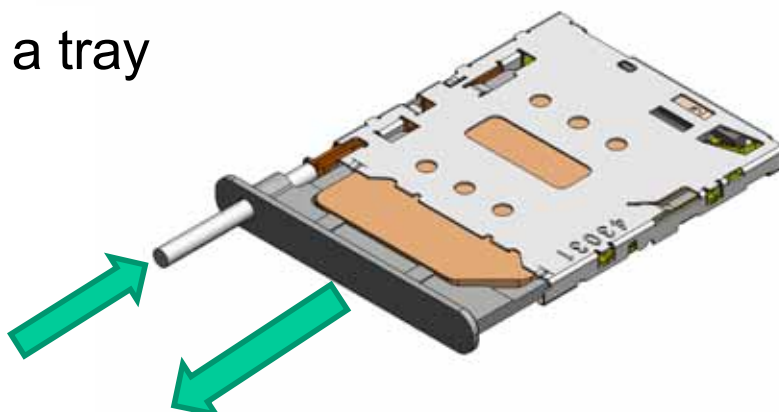
- | | |
|---|---|
| <ul style="list-style-type: none"> ■ No. of Contacts: 6 pos. + 2 pos. (D-SW) ■ Contact Resistance: 100mΩ max. (initial) ■ Dielectric Withstanding Voltage:
AC500Vr.m.s for 1 minute ■ Operating Temperature:
-40 Deg. C to +85 Deg. C | <ul style="list-style-type: none"> ■ Rated Current: 0.5A per pin ■ Rated Voltage: 10V per pin ■ Insulation Resistance:
1,000MΩ min. (initial) ■ Durability: 5,000 times ■ Tray Insertion Force: 10N max. |
|---|---|

How to Eject Tray

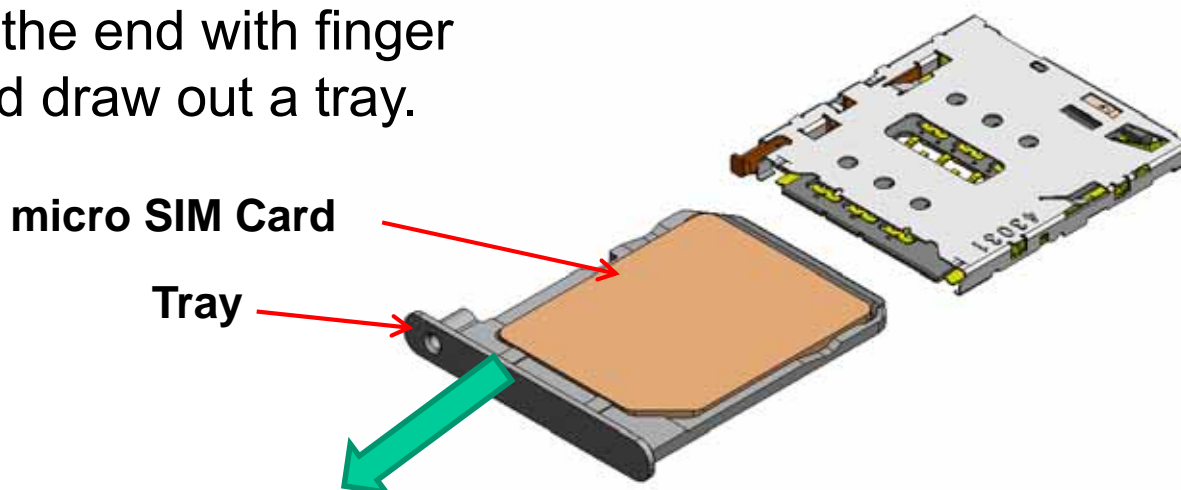
1. Insert a pin into the hole on the tray straightly.



2. Push a pin in until a tray ejects.



3. Pull the end with finger tips and draw out a tray.

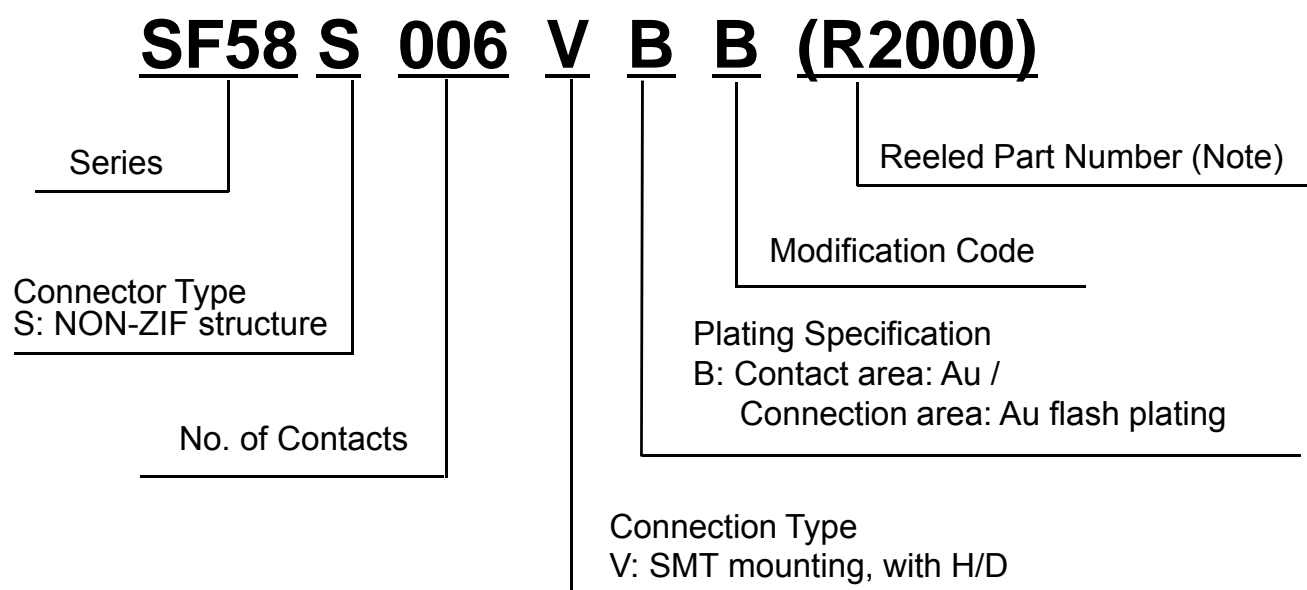


Note: Tray is not included.
Tray is to be prepared
by customers.

Materials and Finishes

Component	Material and Finish
Signal Contact D-SW Contact Main Frame	Copper alloy / Contact area: Au plating over Ni Terminal area: Au flash plating over Ni
Housing	Synthetic resin / None
Cover Frame	Stainless steel / Terminal area: Au flash plating
Eject Bar	Stainless steel / None
Eject Lever	Stainless steel / None

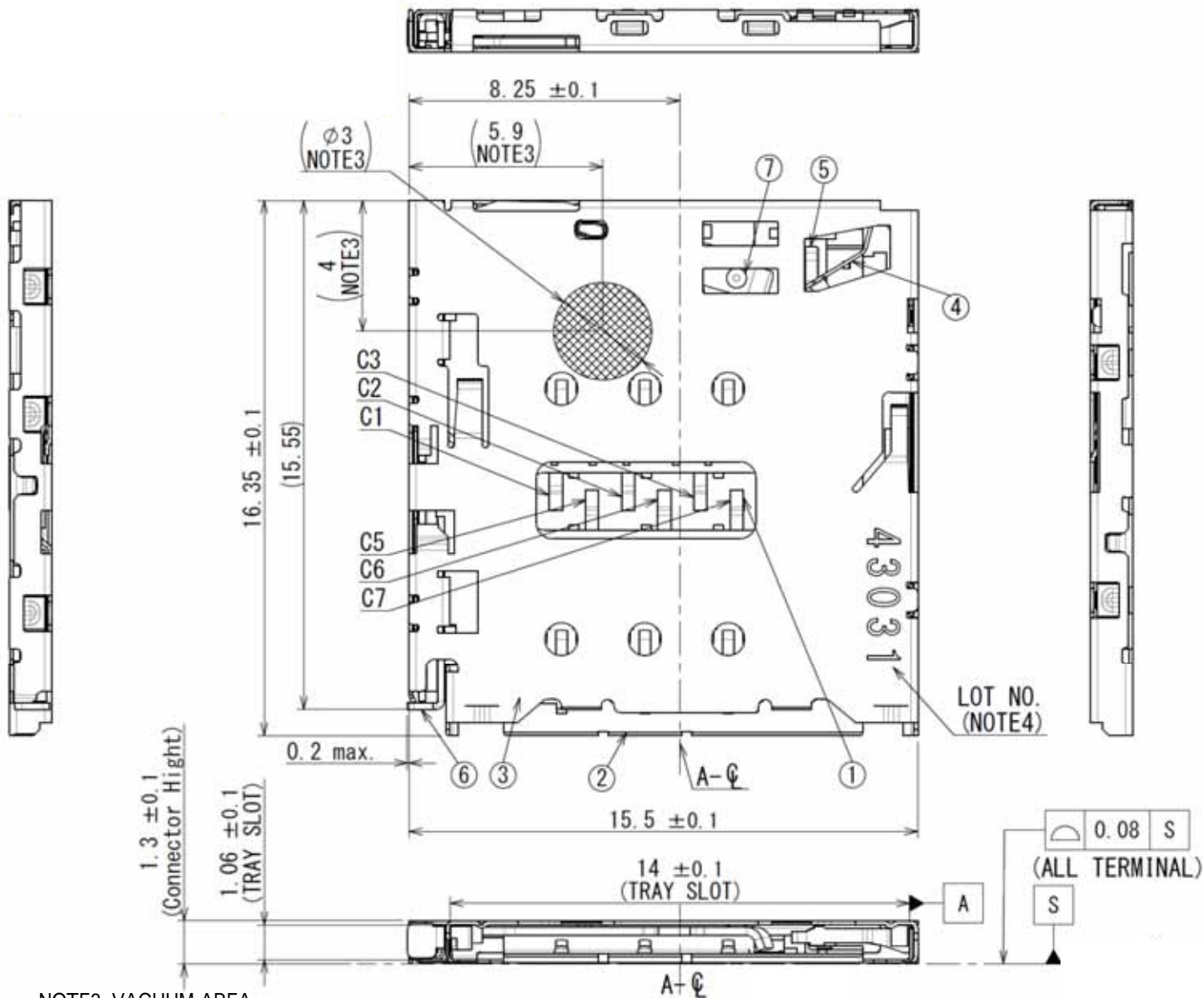
Ordering Information



Note: An embossed tape reel contains 2,000 pieces.

Please contact us concerning packaging specifications.

Part Number	Drawing Number
SF58S006VBB	SJ114918



NOTE3. VACUUM AREA

NOTE4. LOT INFORMATION IS SHOWN AS BELOW

e.g. 4303 1
 ↑ PRODUCTION LINE No.
 ↑ PRODUCTION DATE (YMDD)

Unit: mm

符号 No.	名称 DESCRIPTION	個数 QTY.	材料 MATERIAL	仕上 FINISH	備考 REMARKS
7	EJECT LEVER	1	STAINLESS	-	
6	EJECT BAR	1	STAINLESS	-	
5	DETECTION SW2	1	COPPER ALLOY	TABLE 3	
4	DETECTION SW1	1	COPPER ALLOY	TABLE 3	
3	COVER FRAME	1	STAINLESS	TABLE 3	
2	HOUSING	1	LCP	-	
1	CONTACT	6	COPPER ALLOY	TABLE 3	

TABLE 1. PIN ASSIGNMENT

C1	Vcc
C2	RST
C3	CLK
C5	GND
C6	Vpp
C7	I/O

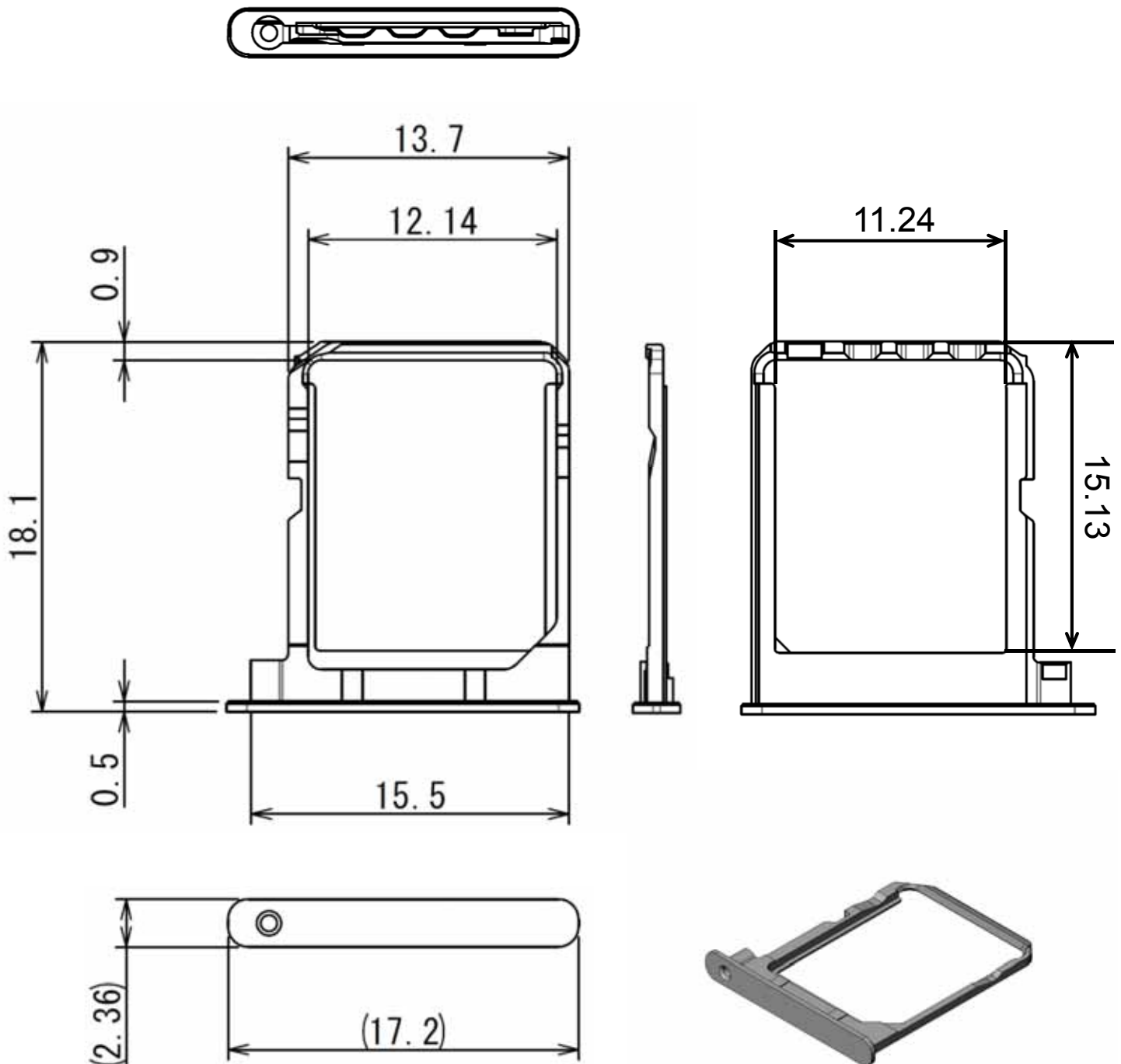
TABLE 2. SWITCH CIRCUIT



TABLE 3. FINISH

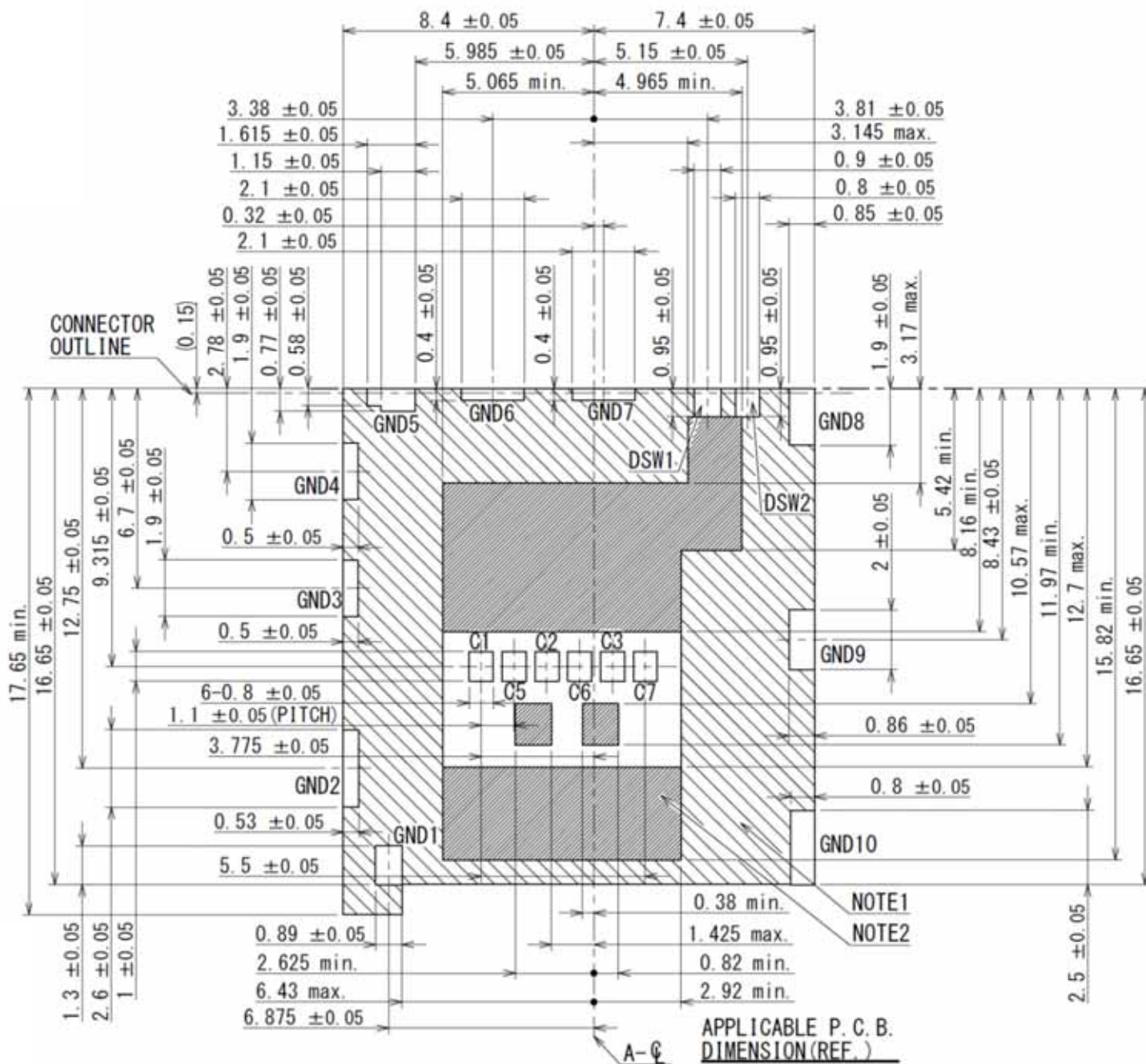
PART No.	PART NAME	BASE PLATING [um]	TOP PLATING [um]	
			CONTACT AREA	TERMINAL AREA
1	CONTACT	Ni 1 min.	Au 0.3 min.	Au 0.03 min.
3	COVER-FRAME	Ni 0.5 min.	-	
4	DETECTION SW1	Ni 1 min.	Au 0.3 min.	
5	DETECTION SW2	Ni 1 min.	Au 0.3 min.	

Recommended Tray



Unit: mm

Note 1: Above are recommended dimensions for tray designed by customers.
 Note 2: Above drawing are for reference only. Please refer to the most updated drawing when considering use of this product.



NOTE1. ONLY GND PATTERN AND VIA HOLE IN ALLOWED IN THIS AREA
 NOTE2. NO PATTERN, VIA HOLE IN THIS AREA

Unit: mm

APPLICABLE P.C.B. DIMENSION(REF.)
適合基板寸法(参考)

Drawing Number

	Technical Document No.
Product Drawings	Individual Product: SJ114918 Reel Product: SJ114919
Specification	JACS-10982
Handling Instruction	JAHL-10982

Notice:

1. The values specified in this brochure are only for reference. The products and their specifications are subject to change without notice. Contact our sales staff for further information before considering or ordering any of our products. For purchase, a product specification must be agreed upon.

2. Users are requested to provide protection circuits and redundancy circuits to ensure safety of the equipment, and sufficiently review the suitability of JAE's products to the equipment.

3. The products presented in this brochure are designed for the uses recommended below.

We strongly suggest you contact our sales staff when considering use of any of the products in any other way than the recommended applications or for a specific use that requires an extremely high reliability.

(1) Applications that require consultation:

(i) Please contact us if you are considering use involving a quality assurance program that you specify or that is peculiar to the industry, such as:

Automotive electrical components, train control, telecommunications devices (mainline), traffic light control, electric power, combustion control, fire prevention or security systems, disaster prevention equipment, etc.

(ii) We may separately give you our support with a quality assurance program that

you specify, when you think of a use such as :

Aviation or space equipment, submarine repeaters, nuclear power control systems, medical equipment for life support, etc.

(2) Recommended applications include:

Computers, office appliances, telecommunications devices (terminals, mobile units), measuring equipment, audiovisual equipment, home electric appliances, factory automation equipment, etc

Japan Aviation Electronics Industry, Limited

* The specifications in this brochure are subject to change without notice. Please contact JAE for information.