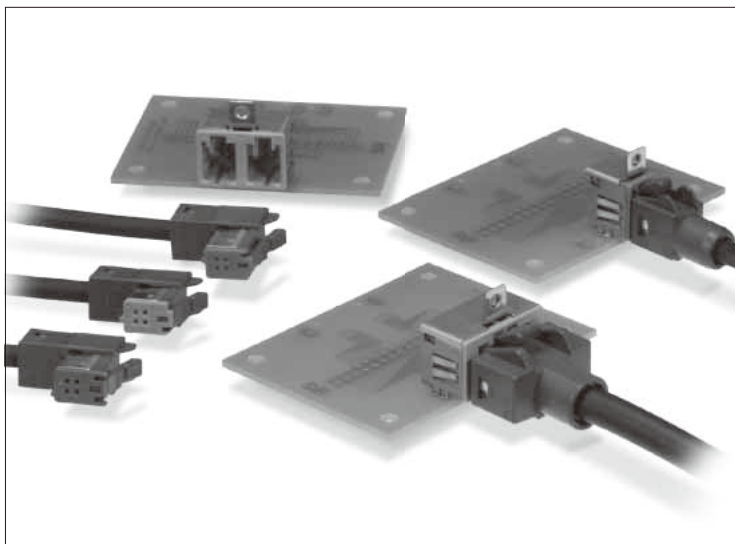


# GT17 Series

— Automotive Shielded Connector —

〈2mm Pitch〉



## ■ Features

- Positive locking mechanism.
- Optimum shielded connectors for automotive use

## ■ Applications

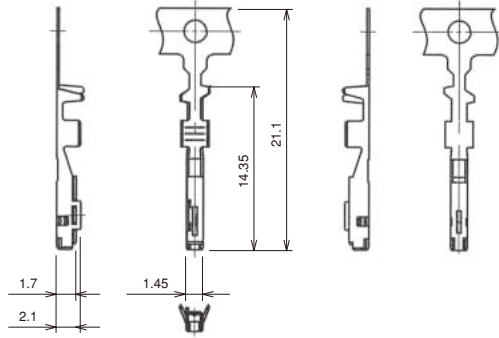
- For in-vehicle data communication, etc.  
(USB 2.0 and LVDS compatible)

GT5  
GT13  
GT16  
GT19  
GT21  
GT36  
GT43  
GT17  
GT32  
GT25  
KM32  
ZE05  
ZG052  
HM-200  
ZE64W  
E20723  
FX26  
DF40  
DF40GL  
FH28K  
FH52K  
FH65  
FH40  
FH63  
FH67

Jul.1.2021 Copyright 2021 HIROSE ELECTRIC CO., LTD. All Rights Reserved.

## ■ F Connector

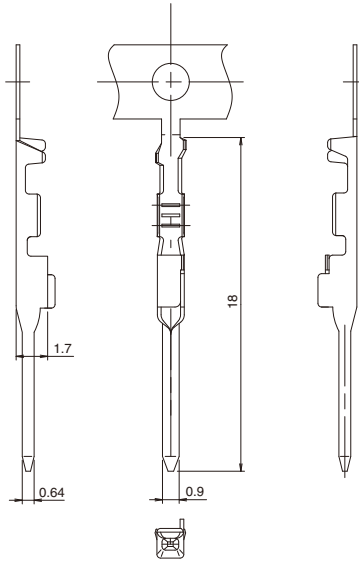
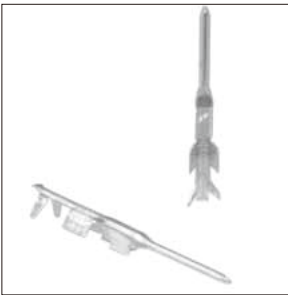
● Center Terminal (Same for 6, 8, and 10 pos.)



Part No.	HRS No.	Material	Finish	Conductor size	Jacket outer diameter	Sales unit	RoHS
GT17-2022SCF	767-0009-0	Copper alloy	Tin plating	AWG#20~22	φ1.1 ~ 1.3	10,000 pcs/reel	○
GT17-2428SCF	767-0010-0			AWG#24~28	φ0.7 ~ 1.0		
GT17-30SCF	767-0064-9			AWG#30	φ1.1 ~ 1.3		
GT17B-2428SCF	767-0122-3			AWG#24~28	φ0.5 ~ 0.7		

## ■ M Connector

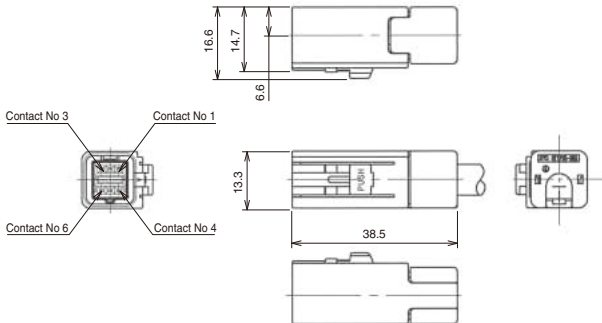
● Center Terminal (Same for 6, 10 pos.)



Part No.	HRS No.	Material	Finish	Conductor size	Jacket outer diameter	Sales unit	RoHS
GT17-2022PCF	767-0082-0	Brass	Tin plating	AWG#20~22	φ1.1 ~ 1.3	10,000 pcs/reel	○
GT17-2428PCF	767-0076-8			AWG#24~28	φ0.7 ~ 1.0		
GT17A-2428PCF	767-0121-0			AWG#24~28	φ1.1 ~ 1.3		

## 6-pos straight connector

Insertion errors can be prevented by using two types of housings with different keys.



This product consists of six parts.  
(Housing, insulated case, outer terminal, shield plate, retainer, and center terminal)

**Housing**

Part No.	HRS No.	Material / Finish or color	Sales unit	RoHS
GT17VS-6DS-HU	767-0051-7	PBT/ Light gray	1	○
GT17VSA-6DS-HU	767-0052-0	PBT/ Black		

**Insulated Case**

Part No.	HRS No.	Material / Finish or color	Sales unit	RoHS
GT17V-6DS-2C	767-0026-0	PBT/ Dark gray	1	○

**Outer Terminal**

Part No.	HRS No.	Material / Finish or color	Jacket outer diameter	Sales unit	RoHS
GT17VS-6DS-5CF	767-0050-4	Copper alloy / Tin plating	φ4.8~5.2	1	○

**Shield Plate**

Part No.	HRS No.	Material / Finish or color	Sales unit	RoHS
GT17VS-6DS-SC	767-0049-5	Copper alloy / Tin plating	1	○

**Retainer**

Part No.	HRS No.	Material / Finish or color	Sales unit	RoHS
GT17VS-6DS-R	767-0053-2	PBT/ Dark gray	1	○

**Center Terminal**

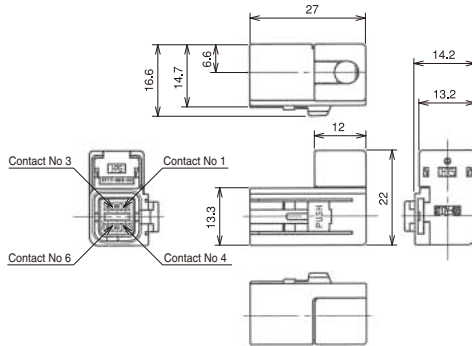
Uses shared contacts for 6-pos, 8-pos, and 10-pos.

**Mating Table**

Color	Cable side connector	Board connector
Gray	GT17VS-6DS-HU	GT17V-6DP-DS (70)
		GT17VB-6DP-DS (70)
Black	GT17VSA-6DS-HU	GT17VA-6DP-DS (70)
		GT17VC-6DP-DS (70)

## ■ 6-pos right angle connector

- ◆ Insertion errors can be prevented by using two types of housings with different keys.



- ◆ This product consists of six parts.  
(Housing, insulated case, outer terminal, shield plate, retainer, and center terminal)

### ● Housing

Part No.	HRS No.	Material / Finish or color	Sales unit	RoHS
GT17V-6DS-HU	767-0029-8	PBT/ Light gray	1	○
GT17VA-6DS-HU	767-0030-7	PBT/ Black		

### ● Insulated Case

Part No.	HRS No.	Material / Finish or color	Sales unit	RoHS
GT17V-6DS-2C	767-0026-0	PBT/ Dark gray	1	○

### ● Outer Terminal

Part No.	HRS No.	Material / Finish or color	Jacket outer diameter	Sales unit	RoHS
GT17V-6DS-5CF	767-0027-2	Copper alloy / Tin plating	φ4.8~5.2	1	○
GT17V-6DS-3.8CF	767-0075-5		φ3.6~4.0		

### ● Shield Plate

Part No.	HRS No.	Material / Finish or color	Sales unit	RoHS
GT17V-6DS-SC	767-0028-5	Copper alloy / Tin plating	1	○

### ● Retainer

Part No.	HRS No.	Material / Finish or color	Sales unit	RoHS
GT17V-6DS-R	767-0031-0	PBT/ Dark gray	1	○

### ● Center Terminal

Uses shared contacts for 6-pos, 8-pos, and 10-pos.

### ◆ Mating Table

Color	Cable side connector	Board connector
Gray	GT17V-6DS-HU	GT17V-6DP-DS (70) (Direction of cable egress, upwards from the mounting surface)
		GT17VB-6DP-DS (70) (Direction of cable egress, downwards from the mounting surface)
Black	GT17VA-6DS-HU	GT17VA-6DP-DS (70) (Direction of cable egress, upwards from the mounting surface)
		GT17VC-6DP-DS (70) (Direction of cable egress, downwards from the mounting surface)

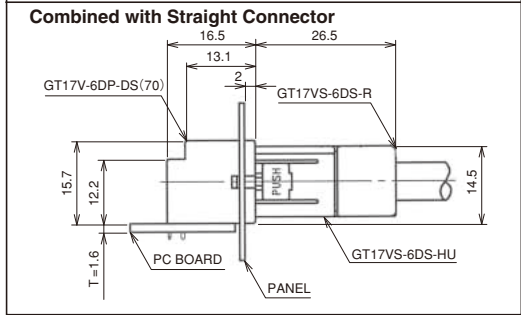
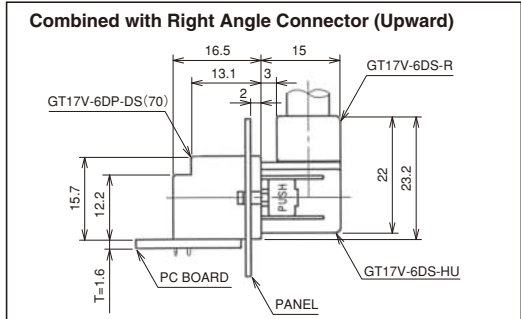
## 6-pos Board Connector

Insertion errors can be prevented by using two types of housings with different keys.

### ● Cable Egress Facing Upward

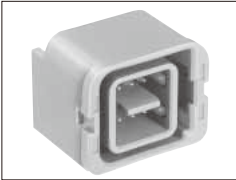


GT17V-6DP-DS(70)

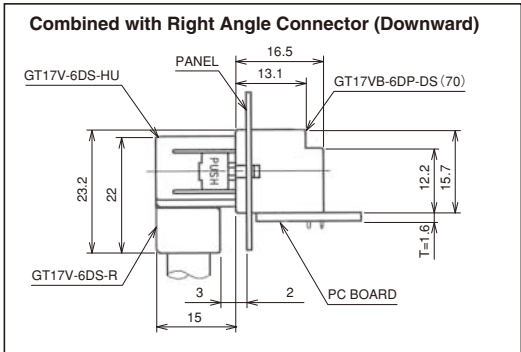


Part No.	HRS No.	Material / Finish or color	Sales unit	RoHS
GT17V-6DP-DS(70)	767-0024-4 70	Housing : PBT/ Light gray Center terminal : Brass/Tin plating Outer terminal : Copper alloy/Tin plating	1	○

### ● Cable Egress Facing Downward



GT17VB-6DP-DS(70)



Part No.	HRS No.	Material / Finish or color	Sales unit	RoHS
GT17VB-6DP-DS(70)	767-0032-2 70	Housing : PBT/ Light gray Center terminal : Brass/Tin plating Outer terminal : Copper alloy /Tin plating	1	○

Jul. 1., 2021 Copyright 2021 HIROSE ELECTRIC CO., LTD. All rights reserved.

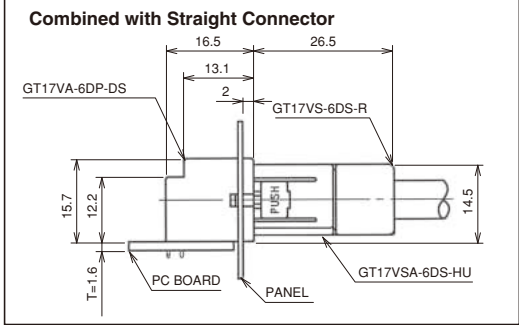
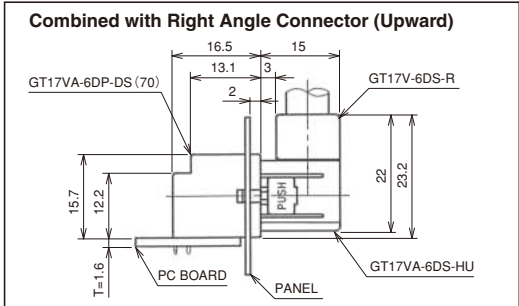
## 6-pos Board Connector

Insertion errors can be prevented by using two types of housings with different keys.

### Cable Egress Facing Upward



GT17VA-6DP-DS(70)

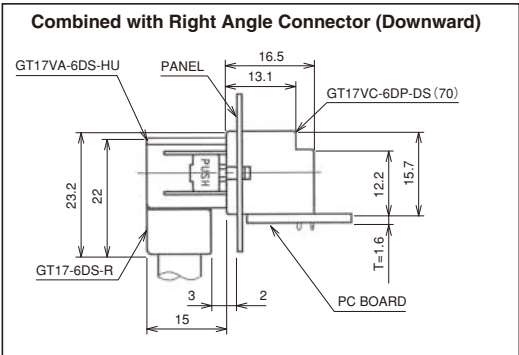


Part No.	HRS No.	Material / Finish or color	Sales unit	RoHS
GT17VA-6DP-DS(70)	767-0025-7 70	Housing : PBT/ Black Center terminal : Brass/Tin plating Outer terminal : Copper alloy /Tin plating	1	○

### Cable Egress Facing Downward



GT17VC-6DP-DS(70)

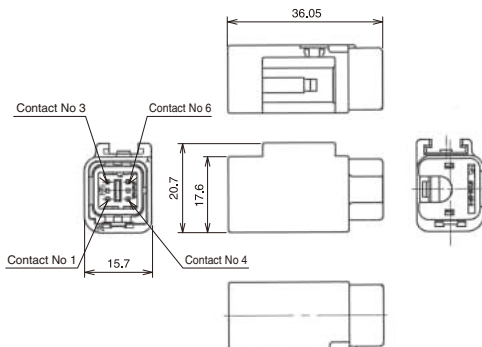
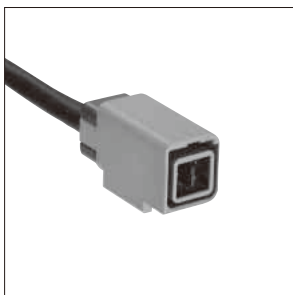


Part No.	HRS No.	Material / Finish or color	Sales unit	RoHS
GT17VC-6DP-DS(70)	767-0033-5 70	Housing : PBT/ Black Center terminal : Brass/Tin plating Outer terminal : Copper alloy/Tin plating	1	○

Jul.1.2021 Copyright 2021 HIROSE ELECTRIC CO., LTD. All Rights Reserved.

GT5 GT13 GT16 GT19 GT21 GT36 GT43 GT17 GT32 GT25 KM37 ZE05 Z0502 HH-200 Z064W T03731 FX26 DF40 DF40GL RH28K FH2K FH65 FH40 FH63 FH67

## 6-pos In-line Connector



◆ This product consists of six parts.  
(Housing, insulated case, outer terminal, shield plate, retainer, and center terminal)

### ● Housing

Part No.	HRS No.	Material / Finish or color	Sales unit	RoHS
GT17VSN-6DP-HU	767-0077-0	PBT/ Light gray	1	○
GT17VSV-6DP-HU	767-0128-0			
GT17VSA-6DP-HU	767-0326-3	PBT/ Black		

### ● Insulated Case

Part No.	HRS No.	Material / Finish or color	Sales unit	RoHS
GT17V-6DP-2C	767-0078-3	PBT/ Dark gray	1	○

### ● Outer Terminal

Part No.	HRS No.	Material / Finish or color	Jacket outer diameter	Sales unit	RoHS
GT17VS-6DP-5CF	767-0080-5	Copper alloy / Tin plating	φ4.8~5.0	1	○

### ● Shield Plate

Part No.	HRS No.	Material / Finish or color	Sales unit	RoHS
GT17VS-6DP-SC	767-0079-6	Copper alloy / Tin plating	1	○

### ● Retainer

Part No.	HRS No.	Material / Finish or color	Sales unit	RoHS
GT17VS-6DP-R	767-0081-8	PBT/ Dark gray	1	○

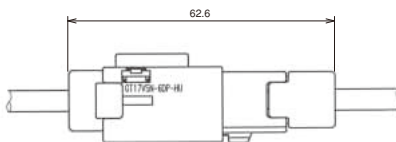
### ● Center Terminal

Uses shared contacts for 6-pos, 8-pos, and 10-pos.

### ◆ Mating Table

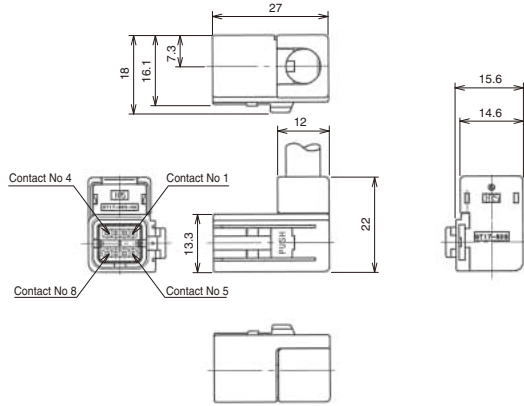
Color	Cable side connector	Board connector
Gray	GT17VSN-6DP-HU	GT17V-6DS-HU
	GT17VSV-6DP-HU	GT17VS-6DS-HU
Black	GT17VSA-6DP-HU	GT17VA-6DS-HU
		GT17VSA-6DS-HU

### ◆ Mated Connector



## ■ 8-pos Right Angle Connector

- ◆ Insertion errors can be prevented by using two types of housings with different keys.



- ◆ This product consists of six part  
(Housing, insulated case, outer terminal, shield plate, retainer, and center terminal)

### ● Housing

Part No.	HRS No.	Material / Finish or color	Sales unit	RoHS
GT17-8DS-HU	767-0003-4	PBT/ Light gray	1	○
GT17A-8DS-HU	767-0004-7	PBT/ Black		

### ● Insulated Case

Part No.	HRS No.	Material / Finish or color	Sales unit	RoHS
GT17-8DS-2C	767-0005-0	PBT/ Dark gray	1	○

### ● Outer Terminal

Part No.	HRS No.	Material / Finish or color	Jacket outer diameter	Sales unit	RoHS
GT17-8DS-7CF(70)	767-0007-5 70	Copper alloy / Tin plating	φ6.8~7.2	1	○

### ● Shield Plate

Part No.	HRS No.	Material / Finish or color	Sales unit	RoHS
GT17-8DS-SC(70)	767-0006-2 70	Copper alloy / Tin plating	1	○

### ● Retainer

Part No.	HRS No.	Material / Finish or color	Sales unit	RoHS
GT17-8DS-R	767-0008-8	PBT/ Dark gray	1	○

### ● Center Terminal

Uses shared contacts for 6-pos, 8-pos, and 10-pos.

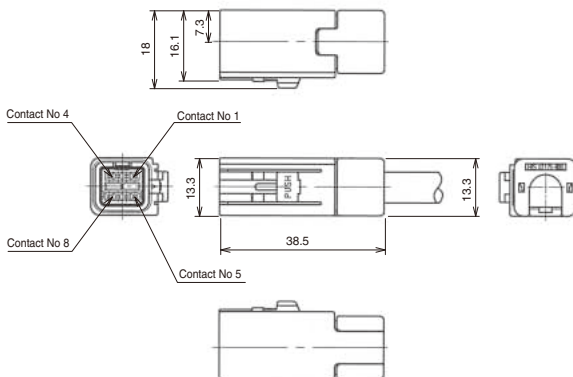
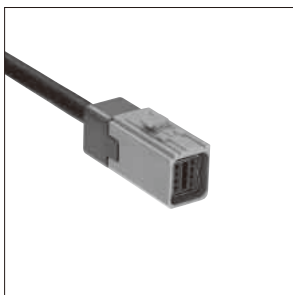
### ◆ Mating Table

Color	Cable side connector	Board connector
Gray	GT17-8DS-HU	GT17V-8DP-DS (Direction of cable egress, upwards from the mounting surface)
		GT17VB-8DP-DS (Direction of cable egress, downwards from the mounting surface)
		GT17VB-8DP-DS-SB (55)(Direction of cable egress, downwards from the mounting surface)
Black	GT17A-8DS-HU	GT17VA-8DP-DS (Direction of cable egress, upwards from the mounting surface)
		GT17VC-8DP-DS (Direction of cable egress, downwards from the mounting surface)
		GT17VC-8DP-DS-SB (55)(Direction of cable egress, downwards from the mounting surface)



## 8-pos Straight Connector

Insertion errors can be prevented by using two types of housings with different keys.



This product consists of six parts.  
(Housing, insulated case, outer terminal, shield plate, retainer, and center terminal)

### Housing

Part No.	HRS No.	Material / Finish or color	Sales unit	RoHS
GT17S-8DS-HU	767-0108-2	PBT/ Light gray	1	○
GT17SA-8DS-HU	767-0109-5	PBT/ Black		

### Insulated Case

Part No.	HRS No.	Material / Finish or color	Sales unit	RoHS
GT17-8DS-2C	767-0005-0	PBT/ Dark gray	1	○

### Outer Terminal

Part No.	HRS No.	Material / Finish or color	Jacket outer diameter	Sales unit	RoHS
GT17S-8DS-7CF	767-0106-7	PBT/ Dark gray	φ 6.8~7.2	1	○

### Shield Plate

Part No.	HRS No.	Material / Finish or color	Sales unit	RoHS
GT17S-8DS-SC	767-0107-0	PBT/ Dark gray	1	○

### Retainer

Part No.	HRS No.	Material / Finish or color	Sales unit	RoHS
GT17S-8DS-R	767-0110-4	PBT/ Dark gray	1	○

### Center Terminal

Uses shared contacts for 6-pos, 8-pos, and 10-pos.

### Mating Table

Color	Cable side connector	Board connector
Gray	GT17S-8DS-HU	GT17V-8DP-DS
		GT17V-8DP-DS-SB(55)
		GT17VB-8DP-DS
		GT17VB-8DP-DS-SB(55)
Black	GT17SA-8DS-HU	GT17VA-8DP-DS
		GT17VC-8DP-DS
		GT17VC-8DP-DS-SB(55)

GT5  
 GT13  
 GT16  
 GT19  
 GT21  
 GT36  
 GT43  
**GT17**  
 GT32  
 GT25  
 KM37  
 ZE05  
 ZG05/2  
 HH-200  
 ZG04W  
 IT20/21  
 FX26  
 DF40  
 DF40GL  
 RH28K  
 FH2K  
 FH65  
 FH40  
 FH63  
 FH67

## 8-pos Board Connector

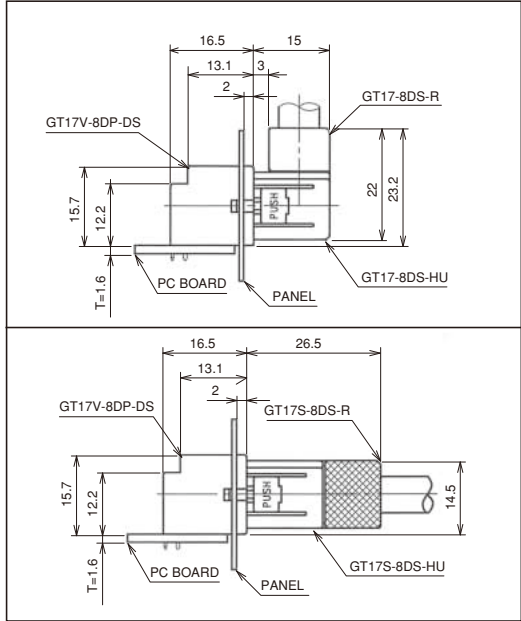
### Cable Egress Facing Upward



GT17V-8DP-DS



GT17V-8DP-DS-SB(55)



Part No.	HRS No.	Material / Finish or color	Sales unit	RoHS
GT17V-8DP-DS	767-0139-6	Housing : PBT/ Light gray Center terminal : Brass/Tin plating Outer terminal : Copper alloy /Tin plating	1	○
GT17V-8DP-DS-SB(55)	767-0071-4 55	Housing : PBT/ Light gray Center terminal : Brass/Tin plating Outer terminal : Copper alloy /Tin plating Shield case : Brass/Tin plating		

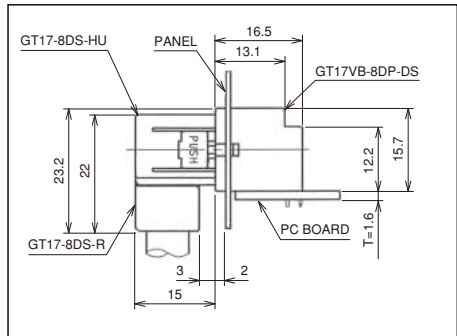
### Cable Egress Facing Downward



GT17VB-8DP-DS



GT17VB-8DP-DS-SB(55)  
(With enhanced shield)



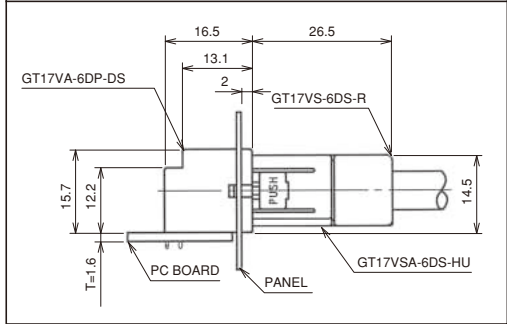
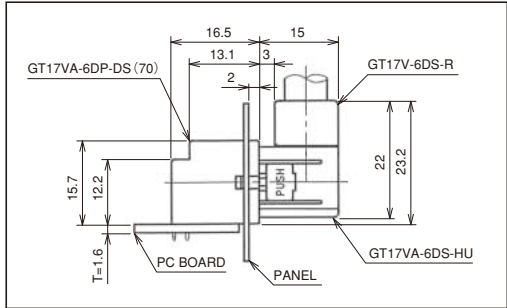
Part No.	HRS No.	Material / Finish or color	Sales unit	RoHS
GT17VB-8DP-DS	767-0185-3	Housing : PBT/ Light gray Center terminal : Brass/Tin plating Outer terminal : Copper alloy/Tin plating	1	○
GT17VB-8DP-DS-SB(55)	767-0123-6 55	Housing : PBT/ Light gray Center terminal : Brass/Tin plating Outer terminal : Copper alloy/Tin plating Shield case : Brass/Tin plating		

## 8-pos Board Connector

### ● Cable Egress facing upward

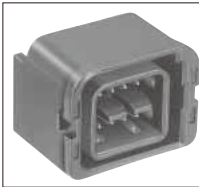


GT17VA-8DP-DS



Part No.	HRS No.	Material / Finish or color	Sales unit	RoHS
GT17VA-8DP-DS	767-0200-5	Housing : PBT/ Black Center terminal : Brass/Tin plating Outer terminal : Copper alloy/Tin plating	1	○

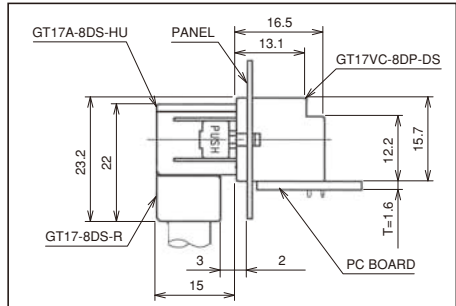
### ● Cable Egress Facing Downward



GT17VC-8DP-DS



GT17VC-8DP-DS-SB(55)  
(With enhanced shield)



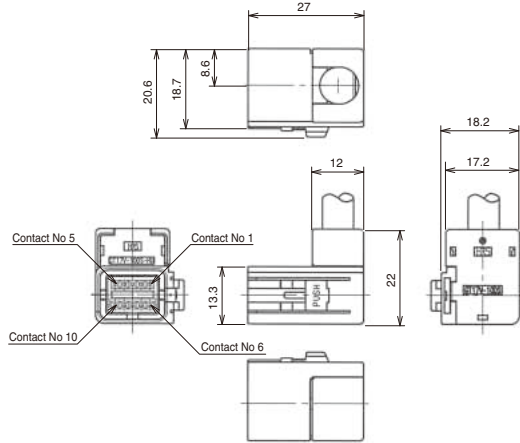
Part No.	HRS No.	Material / Finish or color	Sales unit	RoHS
GT17VC-8DP-DS	767-0199-8	Housing : PBT/ Black Center terminal : Brass/Tin plating Outer terminal : Copper alloy/Tin plating	1	○
GT17VC-8DP-DS-SB(55)	767-0124-9 55	Housing : PBT/ Black Center terminal : Brass/Tin plating Outer terminal : Copper alloy/Tin plating Shield case : Brass/Tin plating		

Jul. 1., 2021 Copyright 2021 HIROSE ELECTRIC CO., LTD. All rights reserved.

GT5 GT13 GT16 GT19 GT21 FH65 FH40 FH35 FH67

## ■ 10-pos Right Angle Connector

◆ Insertion errors can be prevented by using two types of housings with different keys.



◆ This product consists of six parts.  
(Housing, insulated case, outer terminal, shield plate, retainer, and center terminal)

### ● Housing

Part No.	HRS No.	Material / Finish or color	Sales unit	RoHS
GT17V-10DS-HU	767-0039-1	PBT/ Light gray	1	○
GT17VA-10DS-HU	767-0040-0	PBT/ Black		

### ● Insulated Case

Part No.	HRS No.	Material / Finish or color	Sales unit	RoHS
GT17V-10DS-2C	767-0036-3	PBT/ Dark gray	1	○

### ● Outer Terminal

Part No.	HRS No.	Material / Finish or color	Jacket outer diameter	Sales unit	RoHS
GT17V-10DS-8CF	767-0037-6	Copper alloy / Tin plating	φ7.5~8	1	○

### ● Shield Plate

Part No.	HRS No.	Material / Finish or color	Sales unit	RoHS
GT17V-10DS-SC	767-0038-9	Copper alloy / Tin plating	1	○

### ● Retainer

Part No.	HRS No.	Material / Finish or color	Sales unit	RoHS
GT17V-10DS-R	767-0041-3	PBT/ Dark gray	1	○

### ● Center Terminal

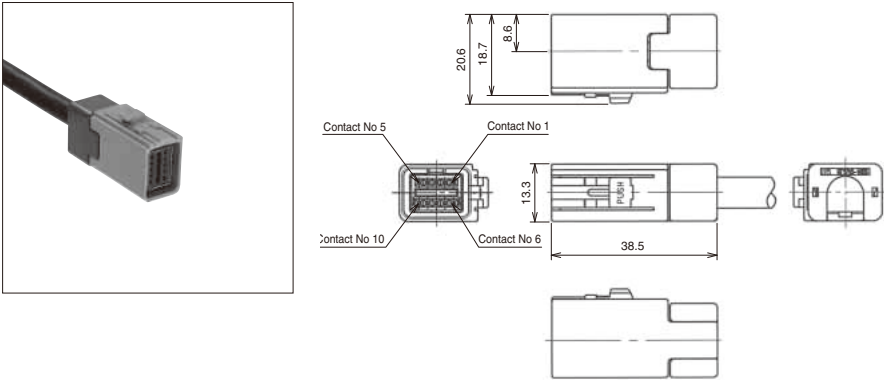
Uses shared contacts for 6-pos, 8-pos, and 10-pos.

### ◆ Mating Table

Color	Cable side connector	Board connector
Gray	GT17V-10DS-HU	GT17V-10DP-DS (70) (Direction of cable egress, upwards from the mounting surface)
		GT17V-10DP-DSA (70) (Straight type)
		GT17V-10DP-DS-SB (56) (Direction of cable egress, upwards from the mounting surface)
Black	GT17VA-10DS-HU	GT17V-10DP-DSA-SB (Straight type)
		GT17VA-10DP-DS (70) (Direction of cable egress, upwards from the mounting surface)
		GT17VA-10DP-DSA (70) (Straight type)
		GT17VA-10DP-DS-SB (56) (Direction of cable egress, upwards from the mounting surface)
		GT17VA-10DP-DSA-SB (Straight type)

## ■ 10-pos Straight Connector

◆ Insertion errors can be prevented by using two types of housings with different keys.



◆ This product consists of six parts.  
(Housing, insulated case, outer terminal, shield plate, retainer, and center terminal)

●Housing

Part No.	HRS No.	Material / Finish or color	Sales unit	RoHS
GT17VS-10DS-HU	767-0061-0	PBT/ Light gray	1	○
GT17VSA-10DS-HU	767-0062-3	PBT/ Black		

●Insulated Case

Part No.	HRS No.	Material / Finish or color	Sales unit	RoHS
GT17V-10DS-2C	767-0036-3	PBT/ Dark gray	1	○

●Outer Terminal

Part No.	HRS No.	Material / Finish or color	Jacket outer diameter	Sales unit	RoHS
GT17VS-10DS-8CF	767-0059-9	Copper alloy / Tin plating	φ7.5~8	1	○

●Shield Plate

Part No.	HRS No.	Material / Finish or color	Sales unit	RoHS
GT17VS-10DS-SC	767-0060-8	Copper alloy / Tin plating	1	○

●Retainer

Part No.	HRS No.	Material / Finish or color	Sales unit	RoHS
GT17VS-10DS-R	767-0063-6	PBT/ Dark gray	1	○

●Center Terminal

Uses shared contacts for 6-pos, 8-pos, and 10-pos.

◆ Mating Table

Color	Cable side connector	Board connector
Gray	GT17VS-10DS-HU	GT17V-10DP-DS (70)
		GT17V-10DP-DSA (70)
		GT17V-10DP-DS-SB (56)
		GT17V-10DP-DSA-SB
Black	GT17VSA-10DS-HU	GT17VA-10DP-DS (70)
		GT17VA-10DP-DSA (70)
		GT17VA-10DP-DS-SB (56)
		GT17VA-10DP-DSA-SB

Jul. 1, 2021 Copyright 2021 HIROSE ELECTRIC CO., LTD. All Rights Reserved. GT5 GT13 GT16 GT19 GT21 GT22 GT23 GT24 GT25 GT26 GT27 GT28 GT29 GT30 GT31 GT32 GT33 GT34 GT35 GT36 GT37 GT38 GT39 GT40 GT41 GT42 GT43 GT44 GT45 GT46 GT47 GT48 GT49 GT50 GT51 GT52 GT53 GT54 GT55 GT56 GT57 GT58 GT59 GT60 GT61 GT62 GT63 GT64 GT65 GT66 GT67 FH40 FH45 FH635 FH67

## 6-pos Board Connector

Insertion errors can be prevented by using two types of housings with different keys.

### Right Angle type

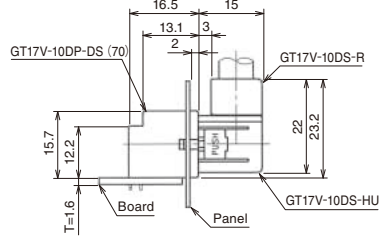


GT17V-10DP-DS(70)

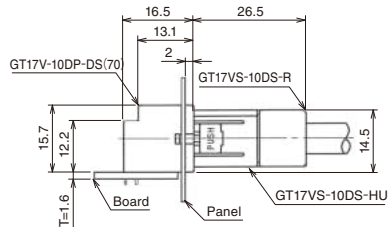


GT17V-10DP-DS-SB(56)  
(With enhanced shield)

### Combined with Right Angle Connector (Cable Side)

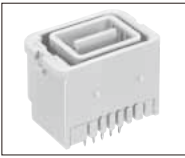


### Combined with Straight Connector (Cable Side)



Part No.	HRS No.	Material / Finish or color	Sales unit	RoHS
GT17V-10DP-DS(70)	767-0034-8 70	Housing : PBT/ Light gray Center terminal : Brass/Tin plating Outer terminal : Copper alloy/ Tin plating	1	○
GT17V-10DP-DS-SB(56)	767-0069-2 56	Housing : PBT/ Light gray Center terminal : Brass/Tin plating Outer terminal : Copper alloy/Tin plating Shield case : Brass/Tin plating		

### Straight type

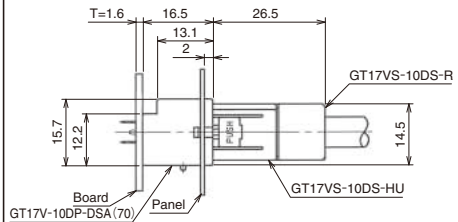


GT17V-10DP-DSA(70)



GT17V-10DP-DSA-SB  
(With enhanced shield)

### Combined with Straight Connector (Cable Side)



Part No.	HRS No.	Material / Finish or color	Sales unit	RoHS
GT17V-10DP-DSA(70)	767-0067-7 70	Housing : PBT/ Light gray Center terminal : Brass/Tin plating Outer terminal : Copper alloy/Tin plating	1	○
GT17V-10DP-DSA-SB	767-0154-0	Housing : PBT/ Light gray Center terminal : Brass/Tin plating Outer terminal : Copper alloy/Tin plating Shield case : Brass/Tin plating		

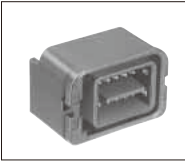
Jul.1.2021 Copyright 2021 HIROSE ELECTRIC CO., LTD. All Rights Reserved.

Jul. 1., 2021 Copyright 2021 HIROSE ELECTRIC CO., LTD. All rights reserved. GT19 GT16 GT13 GT5 FH65 FH40 FH35 FH67

## ■ 10-pos Board Connector

◆ Insertion errors can be prevented by using two types of housings with different keys

### ● Right angle type

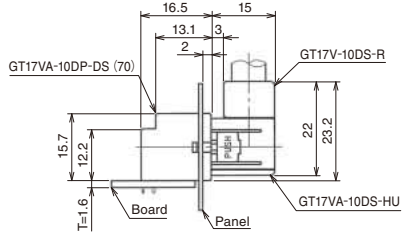


GT17VA-10DP-DS(70)

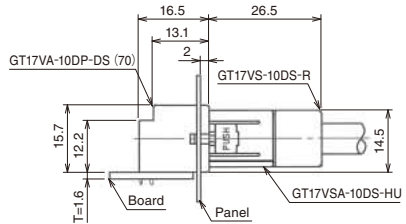


GT17VA-10DP-DS-SB(56)  
(With enhanced shield)

### Combined with Right Angle Connector (Cable Side)

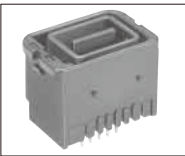


### Combined with Straight Connector (Cable Side)



Part No.	HRS No.	Material / Finish or color	Sales unit	RoHS
GT17VA-10DP-DS(70)	767-0035-0 70	Housing : PBT/ Black Center terminal : Brass/Tin plating Outer terminal : Copper alloy/Tin plating	1	○
GT17VA-10DP-DS-SB(56)	767-0070-1 56	Housing : PBT/ Black Center terminal : Brass/Tin plating Outer terminal : Copper alloy/Tin plating Shield case : Brass/Tin plating		

### ● Straight type

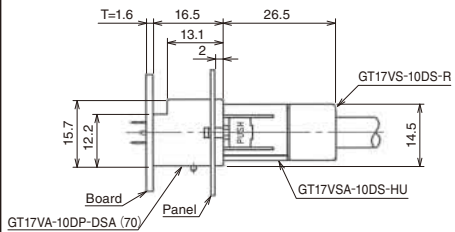


GT17VA-10DP-DSA(70)



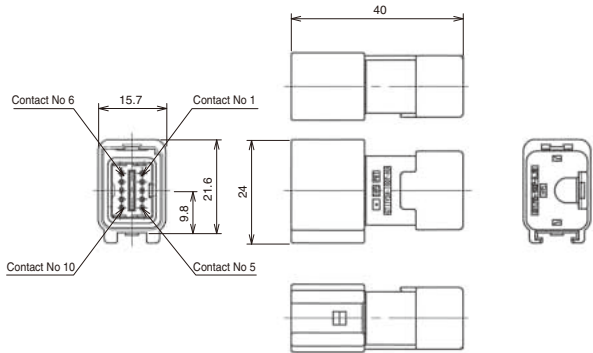
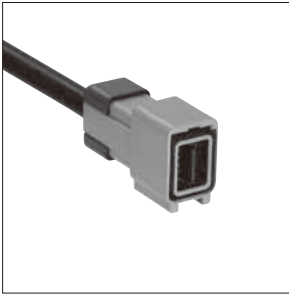
GT17VA-10DP-DSA-SB  
(With enhanced shield)

### Combined with Straight Connector (Cable Side)



Part No.	HRS No.	Material / Finish or color	Sales unit	RoHS
GT17VA-10DP-DSA(70)	767-0068-0 70	Housing : PBT/ Black Center terminal : Brass/Tin plating Outer terminal : Copper alloy/Tin plating	1	○
GT17VA-10DP-DSA-SB	767-0174-7	Housing : PBT/ Black Center terminal : Brass/Tin plating Outer terminal : Copper alloy/Tin plating Shield case : Brass/Tin plating		

## 10-pos In-line Connector



- ◆ This product consists of six parts.  
(Housing, insulated case, outer terminal, shield plate, retainer, and center terminal)

### ● Housing

Part No.	HRS No.	Material / Finish or color	Sales unit	RoHS
GT17VSN-10DP-HU	767-0115-8	PBT / Light gray	1	○

### ● Insulated Case

Part No.	HRS No.	Material / Finish or color	Sales unit	RoHS
GT17V-10DP-2C	767-0112-0	PBT / Dark gray	1	○

### ● Outer Terminal

Part No.	HRS No.	Material / Finish or color	Jacket outer diameter	Sales unit	RoHS
GT17VS-10DP-5.2CF	767-0114-5	Copper alloy / Tin plating	φ5.0~5.4	1,224 pcs/reel	○
GT17VS-10DP-8CF	767-0130-1		φ7.5~8.0		

### ● Shield Plate

Part No.	HRS No.	Material / Finish or color	Sales unit	RoHS
GT17VS-10DP-SC	767-0113-2	Copper alloy / Tin plating	1,224 pcs/reel	○

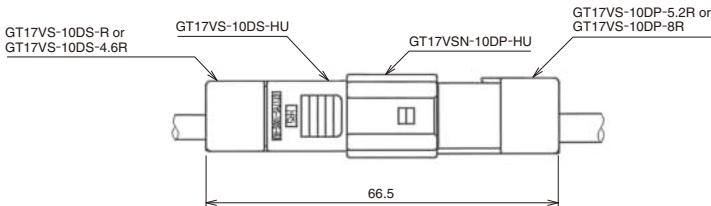
### ● Retainer

Part No.	HRS No.	Material / Finish or color	Sales unit	RoHS
GT17VS-10DP-5.2R	767-0111-7	PBT / Dark gray	1	○
GT17VS-10DP-8R	767-0131-4			

### ● Center Terminal

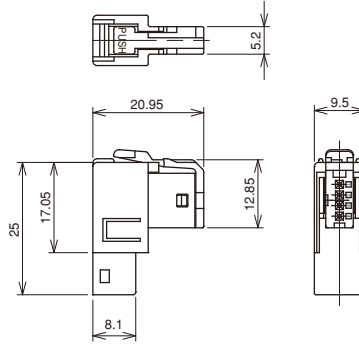
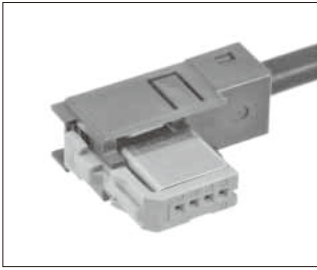
Uses shared contacts for 6-pos, 8-pos, and 10-pos.

### ◆ Mated connector

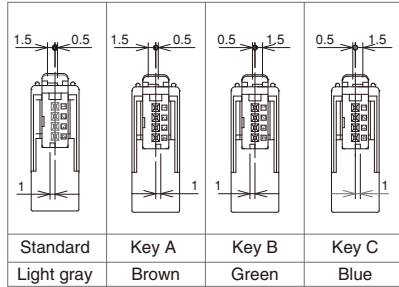




## 4-pos Right Angle Plug Connector



### Key Variations



◆ This product consists of five parts.  
(Housing, insulated case, outer terminal, retainer, and center terminal)

#### ●Housing

Part No.	HRS No.	Material / Finish or color	Sales unit	Remarks	RoHS
GT17H-4S-HU	767-0085-9	PBT/ Dark gray	1		○
GT17H2-4S-HU	767-0245-3			With lock guard	

#### ●Insulated Case

Part No.	HRS No.	Material / Finish or color	Sales unit	RoHS
GT17H-4S-2C	767-0084-6	PBT/ Light gray	1	○
GT17H-4S-2C(A)	767-0167-1	PBT/ Brown		
GT17H-4S-2C(B)	767-0168-4	PBT/ Green		
GT17H-4S-2C(C)	767-0169-7	PBT/ Blue		

#### ●Outer Terminal

Part No.	HRS No.	Material / Finish or color	Jacket outer diameter	Sales unit	RoHS
GT17H-4S-5CF	767-0087-4	Copper alloy / Tin plating	φ4.8~5.2	1	○

#### ●Retainer

Part No.	HRS No.	Material / Finish or color	Sales unit	RoHS
GT17H-4S-R	767-0086-1	PBT/ Dark gray	1	○

#### ●Center Terminal

Part No.	HRS No.	Material / Finish or color	Jacket outer diameter	Sales unit	Sales unit	RoHS
GT8-2428SCF(70)	758-0001-8 70	Phosphor bronze / Tin plating	AWG#24~28	φ0.8~1.5	10,000 pcs/reel	○

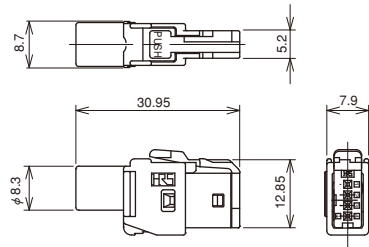
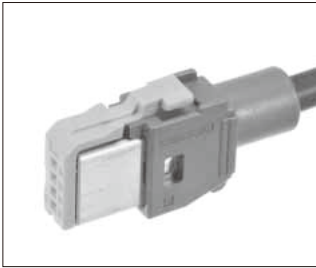
### ◆ Mating Table

Color	Cable side connector	Board connector			
		SMT type		DIP type	
				Right angle type	Straight type
Light gray	GT17H-4S-ASSY	GT17H-4P-2H(55)/GT17HR-4P-2H(55)		GT17H-4P-2DS	GT17H-4P-2DSA
Brown	GT17H-4S-ASSY (Key type : A)	GT17H-4P-2H(A)(55)		GT17H-4P-2DS(A)	GT17H-4P-2DSA(A)
Green	GT17H-4S-ASSY (Key type : B)	GT17H-4P-2H(B)(55)		GT17H-4P-2DS(B)	GT17H-4P-2DSA(B)
Blue	GT17H-4S-ASSY (Key type : C)	GT17H-4P-2H(C)(55)		GT17H-4P-2DS(C)	GT17H-4P-2DSA(C)

GT5  
GT13  
GT16  
GT19  
GT21  
GT36  
GT43  
GT17  
GT32  
GT25  
KM32  
ZE05  
ZG01/2  
HH-200  
ZG04W  
T20721  
FX26  
DF40  
DF40GL  
RH28K  
FH2K  
FH65  
FH40  
FH63  
FH67

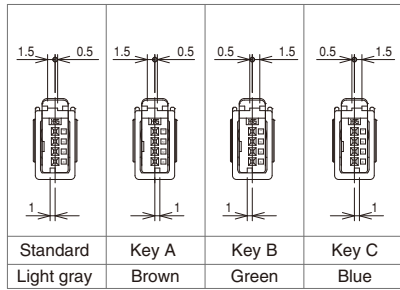
Jul.1..2021 Copyright 2021 HIROSE ELECTRIC CO., LTD. All Rights Reserved.

## ■ 4-pos Straight Plug Connector



◆ This product consists of four parts.  
(Housing, insulated case, outer terminal, and center terminal)

### Key Variations



#### ● Housing

Part No.	HRS No.	Material / Finish or color	Sales unit	Remarks	RoHS
GT17HS-4S-HU	767-0133-0	PBT/ Dark gray	1	—	○
GT17HSK-4S-HU	767-0244-0			With lock guard	

#### ● Insulated Case

Part No.	HRS No.	Material / Finish or color	Sales unit	RoHS
GT17H-4S-2C	767-0084-6	PBT/ Light gray	1	○
GT17H-4S-2C(A)	767-0167-1	PBT/ Brown		
GT17H-4S-2C(B)	767-0168-4	PBT/ Green		
GT17H-4S-2C(C)	767-0169-7	PBT/ Blue		

#### ● Outer Terminal

Part No.	HRS No.	Material / Finish or color	Jacket outer diameter	Sales unit	RoHS
GT17HS-4S-5CF	767-0135-5	Copper alloy / Tin plating	$\phi 4.8 \sim 5.2$	1	○

#### ● Center Terminal

Part No.	HRS No.	Material / Finish or color	Jacket outer diameter	Sales unit	Sales unit	RoHS
GT8-2428SCF(70)	758-0001-8 70	Phosphor bronze / Tin plating	AWG#24~28	$\phi 0.8 \sim 1.5$	10,000 pcs/reel	○

### ◆ Mating Table

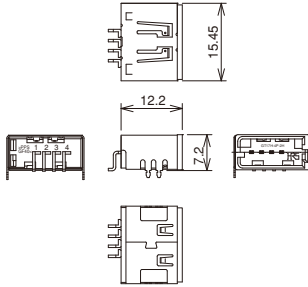
Color	Cable side connector	Board connector		
		SMT type	DIP type	
			Right angle type	Straight type
Light gray	GT17H-4S-ASSY	GT17H-4P-2H(55)/GT17HR-4P-2H(55)	GT17H-4P-2DS	GT17H-4P-2DSA
Brown	GT17H-4S-ASSY (Key type : A)	GT17H-4P-2H(A)(55)	GT17H-4P-2DS(A)	GT17H-4P-2DSA(A)
Green	GT17H-4S-ASSY (Key type : B)	GT17H-4P-2H(B)(55)	GT17H-4P-2DS(B)	GT17H-4P-2DSA(B)
Blue	GT17H-4S-ASSY (Key type : C)	GT17H-4P-2H(C)(55)	GT17H-4P-2DS(C)	GT17H-4P-2DSA(C)

Jul. 1., 2021 Copyright 2021 HIROSE ELECTRIC CO., LTD. All rights Reserved. GT5 GT13 GT16 GT19 FH65 FH40 FH35 FH67

### ■ 4-pos Board Connector (Right Angle SMT type, Right Side Lock)



GT17H-4P-2H(55)



#### Key Variations

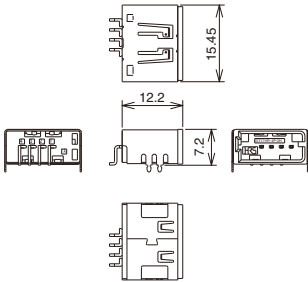
Standard	Key B
Light gray	Green
Key A	Key C
Brown	Blue

Part No.	HRS No.	Color	Material / Finish	Sales unit	RoHS
GT17H-4P-2H(55)	767-0083-3 55	Light gray	Housing : PPS Center terminal : Brass/Tin plating Outer terminal : Copper alloy/Tin plating	400 pcs/reel	○
GT17H-4P-2H(A)(55)	767-0170-6 55	Brown			
GT17H-4P-2H(B)(55)	767-0171-9 55	Green			
GT17H-4P-2H(C)(55)	767-0172-1 55	Blue			

### ■ 4-pos Board Connector (Right Angle SMT type, Left Side lock)



GT17HR-4P-2H(55)



Standard
Light gray

Part No.	HRS No.	Color	Material / Finish	Sales unit	RoHS
GT17HR-4P-2H(55)	767-0146-1 55	Light gray	Housing : PPS Center terminal : Brass/Tin plating Outer terminal : Copper alloy/Tin plating	400 pcs/reel	○

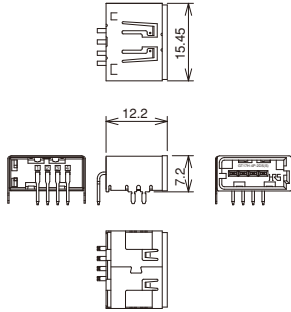
GT5  
GT13  
GT16  
GT19  
GT21  
GT36  
GT43  
GT17  
GT32  
GT25  
KM37  
ZE05  
ZG05/2  
HM-200  
ZG04W  
T2072L  
FX26  
DF40  
DF40GL  
FH28K  
FH2K  
FH65  
FH40  
FH63  
FH67

Jul.1.2021 Copyright 2021 HIROSE ELECTRIC CO., LTD. All Rights Reserved.

### 4-pos Board Connector (Right Angle DIP type)



GT17H-4P-2DS



#### Key Variations

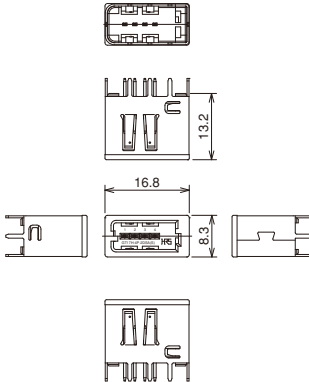
Standard	Key B
Light gray	Green
Key A	Key C
Brown	Blue

Part No.	HRS No.	Color	Material / Finish	Sales unit	RoHS
GT17H-4P-2DS	767-0166-9	Light gray	Housing : PPS Center terminal : Brass/Tin plating Outer terminal : Copper alloy/Tin plating	300 pcs/reel	○
GT17H-4P-2DS(A)	767-0210-9	Brown			
GT17H-4P-2DS(B)	767-0211-1	Green			
GT17H-4P-2DS(C)	767-0212-4	Blue			

### 4-pos Board Connector (Straight DIP type)



GT17H-4P-2DSA

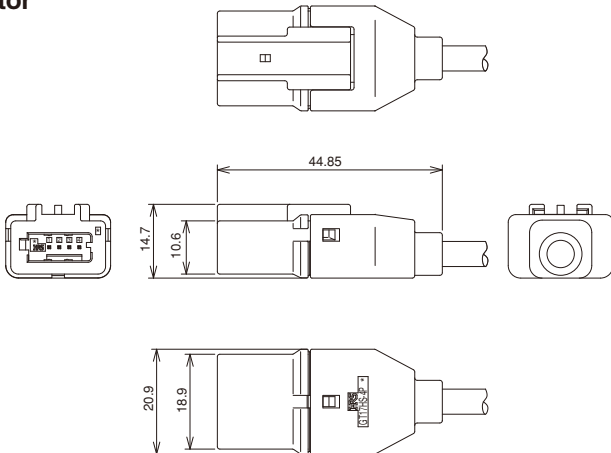
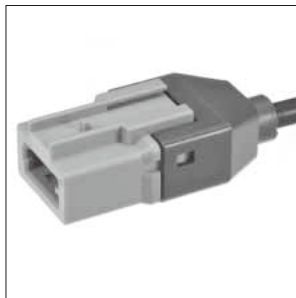


#### Key Variations

Standard	Key B
Light gray	Green
Key A	Key C
Brown	Blue

Part No.	HRS No.	Color	Material / Finish	Sales unit	RoHS
GT17H-4P-2DSA	767-0181-2	Light gray	Housing : PPS Center terminal : Brass/Tin plating Outer terminal : Copper alloy/Tin plating	1	○
GT17H-4P-2DSA(A)	767-0182-5	Brown			
GT17H-4P-2DSA(B)	767-0183-8	Green			
GT17H-4P-2DSA(C)	767-0184-0	Blue			

## 4-pos In-line Connector



◆ This product consists of six parts.  
(Housing, insulated case, outer terminal, shield plate, retainer, and center terminal)

### ●Housing

Part No.	HRS No.	Material / Finish or color	Sales unit	RoHS
GT17HSP-4P-HU	767-0158-0	PBT/ Light gray	1	○
GT17HSP-4P-HU(A)	767-0192-9	PBT/ Brown		
GT17HSP-4P-HU(B)	767-0193-1	PBT/ Green		
GT17HSP-4P-HU(C)	767-0194-4	PBT/ Blue		

### ●Insulated Case

Part No.	HRS No.	Material / Finish or color	Sales unit	RoHS
GT17HS-4P-2C	767-0155-2	PBT/ Light gray	1	○

### ●Outer Terminal

Part No.	HRS No.	Material / Finish or color	Jacket outer diameter	Sales unit	RoHS
GT17HS-4P-5CF	767-0156-5	Copper alloy / Tin plating	φ4.8~5.2	800 pcs/reel	○

### ●Shield Plate

Part No.	HRS No.	Material / Finish or color	Sales unit	RoHS
GT17HS-4P-SC	767-0157-8	Copper alloy / Tin plating	1	○

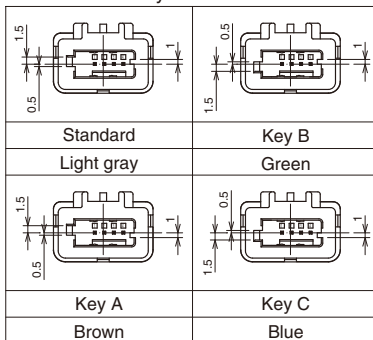
### ●Retainer

Part No.	HRS No.	Material / Finish or color	Sales unit	RoHS
GT17HS-4P-R	767-0159-3	PBT/ Dark gray	1	○

### ●Center Terminal

Part No.	HRS No.	Material / Finish or color	Conductor size	Jacket outer diameter	Sales unit	RoHS
GT8E-2428PCF	758-0067-6	Phosphor bronze / Tin plating	AWG#24~28	φ0.9~1.1	10,000 pcs/reel	○

### Key Variations



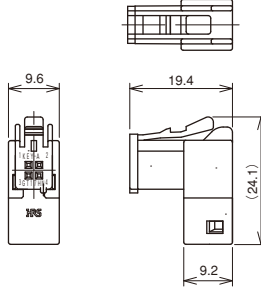
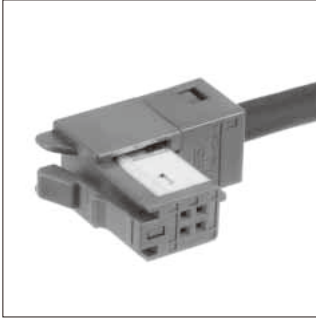
### ◆ Mating Table

Color	GT17HS 4-pos in-line connector	Cable side F connector
Light gray	GT17HSP-4P-ASSY	GT17H-4S-ASSY
Brown	GT17HSP-4P-ASSY (Key type : A)	GT17H-4S-ASSY (Key type : A)
Green	GT17HSP-4P-ASSY (Key type : B)	GT17H-4S-ASSY (Key type : B)
Blue	GT17HSP-4P-ASSY (Key type : C)	GT17H-4S-ASSY (Key type : C)

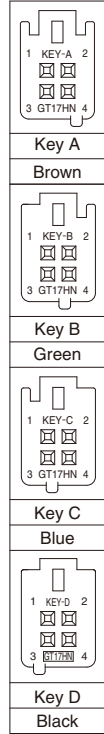
GT5  
GT13  
GT16  
GT19  
GT21  
GT36  
GT43  
GT17  
GT32  
GT25  
KM37  
ZE05  
ZG012  
HH-200  
ZG04W  
ZG04V  
ZG023  
EZ26  
DF40  
DF40GL  
RH28K  
FH2K  
FH5  
FH40  
FH63  
FH67

Jul.1.2021 Copyright 2021 HIROSE ELECTRIC CO., LTD. All Rights Reserved.

## 4-pos Right Angle Plug Connector



### Key Variations



◆ This product consists of five parts.  
(Housing, insulated case, outer terminal, retainer, and center terminal)

#### ●Housing

Part No.	HRS No.	Material / Finish or color	Sales unit	RoHS
GT17HN-4DS-HU	767-0141-8	PBT/ Dark gray	1	○

#### ●Insulated Case

Part No.	HRS No.	Material / Finish or color	Sales unit	RoHS
GT17HN-4DS-2C(A)	767-0140-5	PBT/ Brown	1	○
GT17HN-4DS-2C(B)	767-0147-4	PBT/ Green		
GT17HN-4DS-2C(C)	767-0148-7	PBT/ Blue		
GT17HN-4DS-2C(D)	767-0149-0	PBT/ Black		

#### ●Outer Terminal

Part No.	HRS No.	Material / Finish or color	Jacket outer diameter	Sales unit	RoHS
GT17HN-4DS-SCF	767-0142-0	Copper alloy / Tin plating	φ4.8~5.2	1	○

#### ●Retainer

Part No.	HRS No.	Material / Finish or color	Sales unit	RoHS
GT17HN-4DS-R	767-0143-3	PBT/ Dark gray	1	○

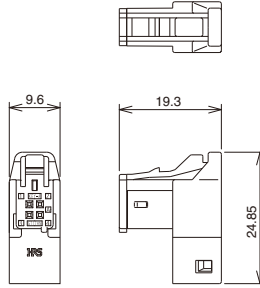
#### ●Center Terminal

Part No.	HRS No.	Material / Finish or color	Conductor size	Jacket outer diameter	Sales unit	RoHS
GT8-2428SCF(70)	758-0001-8 70	Phosphor bronze / Tin plating	AWG#24~28	φ0.8~1.5	10,000 pcs/reel	○

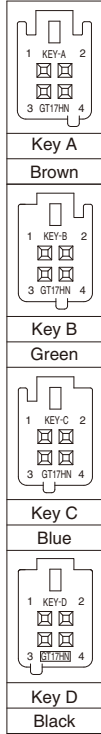
### ◆ Mating Table

Color	Cable side connector	Board side connector	
		SMT type	DIP type
Brown	GT17HN-4DS-ASSY (Key type : A)	GT17HN-4DP-2H(A)(55)	GT17HJ-4DP-2DSA(55) GT17HG-4DP-2DSA(A)(55) GT17HN-4DP-2DS(A) GT17HN-4DP-2DS(A)(55) GT17HN-4DP-4DS(A)(10)
		GT17HN-4DP-2H(A)(57)	
		GT17HN-4DP-2H(A)(65)	
		GT17HNR-4DP-2H(A)(55)	
		GT17HNL-4DP-2H(A)(55)	
		GT17HNH-4DP-2H(A)(10)	
		GT17HN-4/4DP-2H(AA)(55)	
		GT17HN-4/4DP-2H(BA)(55)	
		GT17HN-4/4DP-2H(AC)(55)	
		GT17HND-4/4DP-2H(AA)(55)	
Green	GT17HN-4DS-ASSY (Key type : B)	GT17HN-4DP-2H(B)(55)	GT17HG-4DP-2DSA(B)(55) GT17HN-4DP-2DS(B) GT17HN-4DP-2DS(B)(10)
		GT17HN-4DP-2H(B)(57)	
		GT17HN-4DP-2H(B)(66)	
		GT17HNL-4DP-2H(B)(55)	
		GT17HNH-4DP-2H(B)(10)	
		GT17HN-4/4DP-2H(BA)(55)	
		GT17HN-4/4DP-2H(BC)(55)	
		GT17HN-4/4DP-2H(BC)(57)	
		GT17HN-4DP-2H(C)(55)	
		GT17HN-4DP-2H(C)(57)	
Blue	GT17HN-4DS-ASSY (Key type : C)	GT17HN-4DP-2H(C)(58)	GT17HG-4DP-2DSA(C)(55) GT17HN-4DP-2DS(C) GT17HN-4DP-2DS(C)(10)
		GT17HNL-4DP-2H(C)(10)	
		GT17HN-4/4DP-2H(AC)(56)	
		GT17HN-4/4DP-2H(BC)(55)	
		GT17HN-4/4DP-2H(BC)(57)	
		GT17HN-4DP-2H(D)(55)	
Black	GT17HN-4DS-ASSY (Key type : D)	GT17HN-4DP-2H(D)(57)	GT17HG-4DP-2DSA(D)(55) GT17HN-4DP-2DS(D) GT17HN-4DP-2DS(D)(10)
		GT17HNL-4DP-2H(D)(58)	
		GT17HNH-4DP-2H(D)(10)	
		GT17HND-4DP-2H(D)(10)	

## 4-pos Right Angle Plug Connector With Lock Guard



### Key Variations



**This product consists of five parts.**  
(Housing, insulated case, outer terminal, retainer, and center terminal)

**Housing**

Part No.	HRS No.	Material / Finish or color	Sales unit	RoHS
GT17HN2-4DS-HU	767-0264-8	PBT/ Dark gray	1	○

**Insulated Case**

Part No.	HRS No.	Material / Finish or color	Sales unit	RoHS
GT17HN-4DS-2C(A)	767-0140-5	PBT/ Brown	1	○
GT17HN-4DS-2C(B)	767-0147-4	PBT/ Green		
GT17HN-4DS-2C(C)	767-0148-7	PBT/ Blue		
GT17HN-4DS-2C(D)	767-0149-0	PBT/ Black		

**Outer Terminal**

Part No.	HRS No.	Material / Finish or color	Jacket outer diameter	Sales unit	RoHS
GT17HNX-4DS-5CF	767-0179-0	Copper alloy / Tin plating	φ4.8~5.2	1	○

**Retainer**

Part No.	HRS No.	Material / Finish or color	Sales unit	RoHS
GT17HN2-4DS-R	767-0268-9	PBT/ Dark gray	1	○

**Center Terminal**

Part No.	HRS No.	Material / Finish or color	Conductor size	Jacket outer diameter	Sales unit	RoHS
GT8-2428SCF(70)	758-0001-8 70	Phosphor bronze / Tin plating	AWG#24~28	φ0.8~1.5	10,000 pcs/reel	○

**Mating Table**

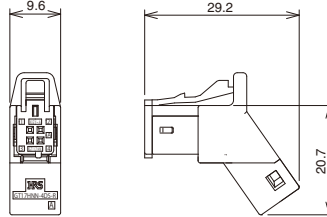
Color	Cable side connector	Board side connector	
		SMT type	DIP type
Brown	GT17HN2-4DS-ASSY (Key type : A)	GT17HN-4DP-2H(A)(55)	GT17HJ-4DP-2DSA(55) GT17HG-4DP-2DSA(A)(55) GT17HN-4DP-2DS(A) GT17HNF-4DP-2DS(A)(55) GT17HN-4DP-4DS(A)(10)
		GT17HN-4DP-2H(A)(57)	
		GT17HN-4DP-2H(A)(65)	
		GT17HNR-4DP-2H(A)(55)	
		GT17HNL-4DP-2H(A)(55)	
		GT17HNH-4DP-2H(A)(10)	
		GT17HN-4/4DP-2H(A)(55)	
Green	GT17HN2-4DS-ASSY (Key type : B)	GT17HN-4/4DP-2H(BA)(55)	GT17HG-4DP-2DSA(B)(55) GT17HN-4DP-2DS(B) GT17HN-4DP-2DS(B)(10)
		GT17HN-4/4DP-2H(AC)(56)	
		GT17HND-4/4DP-2H(AA)(55)	
		GT17HN-4DP-2H(B)(55)	
		GT17HN-4DP-2H(B)(66)	
		GT17HNL-4DP-2H(B)(55)	
		GT17HNH-4DP-2H(B)(10)	
Blue	GT17HN2-4DS-ASSY (Key type : C)	GT17HN-4/4DP-2H(BC)(55)	GT17HG-4DP-2DSA(C)(55) GT17HN-4DP-2DS(C) GT17HN-4DP-2DS(C)(10)
		GT17HN-4/4DP-2H(BC)(57)	
		GT17HN-4DP-2H(C)(55)	
		GT17HN-4DP-2H(C)(57)	
		GT17HN-4DP-2H(C)(58)	
		GT17HNH-4DP-2H(C)(10)	
		GT17HN-4/4DP-2H(AC)(56)	
Black	GT17HN2-4DS-ASSY (Key type : D)	GT17HN-4/4DP-2H(BC)(55)	GT17HG-4DP-2DSA(D)(55) GT17HN-4DP-2DS(D) GT17HN-4DP-2DS(D)(10)
		GT17HN-4/4DP-2H(BC)(57)	
		GT17HN-4DP-2H(D)(55)	
		GT17HN-4P-2H(D)(57)	
		GT17HN-4P-2H(D)(58)	
		GT17HNH-4DP-2H(D)(10)	
		GT17HNH-4DP-2H(D)(10)	

Copyright 2021 HIROSE ELECTRIC CO., LTD. All rights reserved.

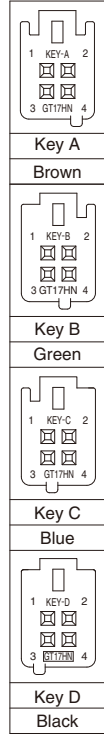
GT5  
GT13  
GT16  
GT19  
GT21  
GT36  
GT43  
GT17  
GT32  
GT25  
KM37  
ZE05  
ZE052  
HM-300  
ZE04W  
T20721  
FX26  
DF40  
DF40GL  
RH28K  
FH2K  
FH5  
FH40  
FH63  
FH67

Jul.1..2021 Copyright 2021 HIROSE ELECTRIC CO., LTD. All Rights Reserved.

## 4-pos Quarter Angle Plug Connector



### Key Variations



◆ This product consists of five parts.  
(Housing, insulated case, outer terminal, retainer, and center terminal)

#### ● Housing

Part No.	HRS No.	Material / Finish or color	Sales unit	RoHS
GT17HNN-4DS-HU	767-0187-9	PBT/ Dark gray	1	○

#### ● Insulated Case

Part No.	HRS No.	Material / Finish or color	Sales unit	RoHS
GT17HN-4DS-2C(A)	767-0140-5	PBT/ Brown	1	○
GT17HN-4DS-2C(B)	767-0147-4	PBT/ Green		
GT17HN-4DS-2C(C)	767-0148-7	PBT/ Blue		
GT17HN-4DS-2C(D)	767-0149-0	PBT/ Black		

#### ● Outer Terminal

Part No.	HRS No.	Material / Finish or color	Jacket outer diameter	Sales unit	RoHS
GT17HNN-4DS-5CF	767-0189-4	Copper alloy / Tin plating	φ 4.8~5.2	1	○

#### ● Retainer

Part No.	HRS No.	Material / Finish or color	Sales unit	RoHS
GT17HNN-4DS-R	767-0188-1	PBT/ Dark gray	1	○

#### ● Center Terminal

Part No.	HRS No.	Material / Finish or color	Conductor size	Jacket outer diameter	Sales unit	RoHS
GT8-2428SCF(70)	758-0001-8 70	Phosphor bronze / Tin plating	AWG#24~28	φ 0.8~1.5	10,000 pcs/reel	○

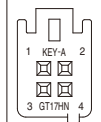
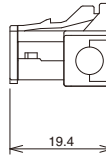
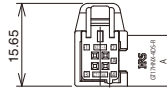
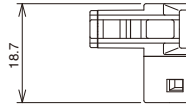
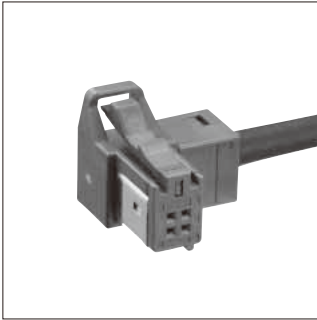
### ◆ Mating Table

色	Cable side connector	Board side connector	
		SMT type	DIP type
Brown	GT17HNN-4DS-ASSY (Key type : A)	GT17HN-4DP-2H(A)(55) GT17HN-4DP-2H(A)(57) GT17HN-4DP-2H(A)(65) GT17HNR-4DP-2H(A)(55) GT17HNL-4DP-2H(A)(55) GT17HNN-4DP-2H(A)(10) GT17HN-4/4DP-2H(A)(55) GT17HN-4/4DP-2H(BA)(55) GT17HN-4/4DP-2H(AC)(56) GT17HND-4/4DP-2H(AA)(55)	GT17HJ-4DP-2DSA(55) GT17HG-4DP-2DSA(A)(55) GT17HN-4DP-2DS(A) GT17HNF-4DP-2DS(A)(55) GT17HN-4DP-4DS(A)(10)
Green	GT17HNN-4DS-ASSY (Key type : B)	GT17HN-4DP-2H(B)(55) GT17HN-4DP-2H(B)(57) GT17HN-4DP-2H(B)(66) GT17HNL-4DP-2H(B)(55) GT17HNN-4DP-2H(B)(10) GT17HN-4/4DP-2H(BA)(55) GT17HN-4/4DP-2H(BC)(55) GT17HN-4/4DP-2H(BC)(57)	GT17HG-4DP-2DSA(B)(55) GT17HN-4DP-2DS(B) GT17HN-4DP-2DS(B)(10)
Blue	GT17HNN-4DS-ASSY (Key type : C)	GT17HN-4DP-2H(C)(55) GT17HN-4DP-2H(C)(57) GT17HN-4DP-2H(C)(58) GT17HNN-4DP-2H(C)(10) GT17HN-4/4DP-2H(AC)(56) GT17HN-4/4DP-2H(BC)(55) GT17HN-4/4DP-2H(BC)(57)	GT17HG-4DP-2DSA(C)(55) GT17HN-4DP-2DS(C) GT17HN-4DP-2DS(C)(10)
Black	GT17HNN-4DS-ASSY (Key type : D)	GT17HN-4P-2H(D)(55) GT17HN-4P-2H(D)(57) GT17HN-4P-2H(D)(58) GT17HNN-4DP-2H(D)(10)	GT17HG-4DP-2DSA(D)(55) GT17HN-4DP-2DS(D) GT17HN-4DP-2DS(D)(10)



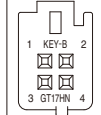
## ■ 4-pos Cable Side Egress Plug Connector

Key Variations



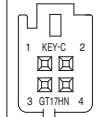
Key A

Brown



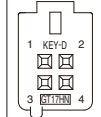
Key B

Green



Key C

Blue



Key D

Black

◆ This product consists of five parts.  
(Housing, insulated case, outer terminal, retainer, and center terminal)

● Housing

Part No.	HRS No.	Material / Finish or color	Sales unit	RoHS
GT17HNL-4DS-HU	767-0302-5	PBT/ Dark gray	1	○

● Insulated Case

Part No.	HRS No.	Material / Finish or color	Sales unit	RoHS
GT17HN-4DS-2C(A)	767-0140-5	PBT/ Brown	1	○
GT17HN-4DS-2C(B)	767-0147-4	PBT/ Green		
GT17HN-4DS-2C(C)	767-0148-7	PBT/ Blue		
GT17HN-4DS-2C(D)	767-0149-0	PBT/ Black		

● Outer Terminal

Part No.	HRS No.	Material / Finish or color	Sales unit	RoHS
GT17HNL-4DS-SCF	767-0301-2	Copper alloy / Tin plating	1	○

● Retainer

Part No.	HRS No.	Material / Finish or color	Sales unit	RoHS	RoHS
GT17HNX-4DS-R	767-0180-0	PBT/ Dark gray	φ 4.8~5.2	1	○

● Center Terminal

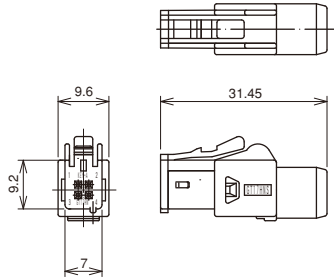
Part No.	HRS No.	Material / Finish or color	Conductor size	Jacket outer diameter	Sales unit	RoHS
GT8-2428SCF(70)	758-0001-8 70	Phosphor bronze / Tin plating	AWG#24~28	φ 0.8~1.5	10,000 pcs/reel	○

◆ Mating Table

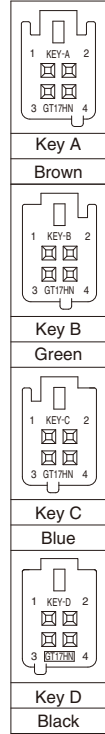
Color	Cable side connector	Board side connector				
		SMT type	DIP type			
Brown	GT17HNL-4DS-ASSY (Key type : A)	GT17HN-4DP-2H(A)(55)	GT17HJ-4DP-2DSA(55) GT17HG-4DP-2DSA(A)(55) GT17HN-4DP-2DS(A) GT17HNF-4DP-2DS(A)(55) GT17HN-4DP-4DS(A)(10)			
		GT17HN-4DP-2H(A)(57)				
		GT17HN-4DP-2H(A)(65)				
		GT17HNR-4DP-2H(A)(55)				
		GT17HNL-4DP-2H(A)(55)				
		GT17HNH-4DP-2H(A)(10)				
		GT17HN-4/4DP-2H(AA)(55)				
		GT17HN-4/4DP-2H(BA)(55)				
		GT17HN-4/4DP-2H(AC)(56)				
		GT17HND-4/4DP-2H(AA)(55)				
Green	GT17HNL-4DS-ASSY (Key type : B)	GT17HN-4DP-2H(B)(55)	GT17HG-4DP-2DSA(B)(55) GT17HN-4DP-2DS(B) GT17HN-4DP-2DS(B)(10)			
		GT17HN-4DP-2H(B)(57)				
		GT17HN-4DP-2H(B)(66)				
		GT17HNL-4DP-2H(B)(55)				
		GT17HNN-4DP-2H(B)(10)				
		GT17HN-4/4DP-2H(BA)(55)				
		GT17HN-4/4DP-2H(BC)(55)				
		GT17HN-4/4DP-2H(BC)(57)				
		GT17HN-4DP-2H(C)(55)				
		GT17HN-4DP-2H(C)(57)				
Blue	GT17HNL-4DS-ASSY (Key type : C)	GT17HN-4DP-2H(C)(58)	GT17HG-4DP-2DSA(C)(55) GT17HN-4DP-2DS(C) GT17HN-4DP-2DS(C)(10)			
		GT17HNN-4DP-2H(C)(10)				
		GT17HN-4/4DP-2H(AC)(56)				
		GT17HN-4/4DP-2H(BC)(55)				
		GT17HN-4/4DP-2H(BC)(57)				
		Black		GT17HNL-4DS-ASSY (Key type : D)	GT17HN-4P-2H(D)(55)	GT17HG-4DP-2DSA(D)(55) GT17HN-4DP-2DS(D) GT17HN-4DP-2DS(D)(10)
					GT17HN-4P-2H(D)(57)	
					GT17HN-4P-2H(D)(58)	
					GT17HNN-4DP-2H(D)(10)	

Copyright 2021 HIROSE ELECTRIC CO., LTD. All rights reserved.

## 4-pos Straight Plug Connector



### Key Variations



◆ This product consists of four parts.  
(Housing, insulated case, outer terminal, and center terminal)

#### ●Housing

Part No.	HRS No.	Material / Finish or color	Sales unit	RoHS
GT17HNS-4DS-HU	767-0150-9	PBT/ Dark gray	1	○

#### ●Insulated Case

Part No.	HRS No.	Material / Finish or color	Sales unit	RoHS
GT17HN-4DS-2C(A)	767-0140-5	PBT/ Brown	1	○
GT17HN-4DS-2C(B)	767-0147-4	PBT/ Green		
GT17HN-4DS-2C(C)	767-0148-7	PBT/ Blue		
GT17HN-4DS-2C(D)	767-0149-0	PBT/ Black		

#### ●Outer Terminal

Part No.	HRS No.	Material / Finish or color	Jacket outer diameter	Sales unit	RoHS
GT17HNS-4DS-5CF	767-0151-1	Copper alloy / Tin plating	φ4.8~5.2	1	○

#### ●Center Terminal

Part No.	HRS No.	Material / Finish or color	Conductor size	Jacket outer diameter	Sales unit	RoHS
GT8-2428SCF(70)	758-0001-8 70	Phosphor bronze / Tin plating	AWG#24~28	φ0.8~1.5	10,000 pcs/reel	○

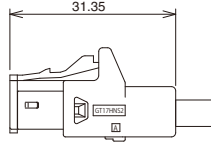
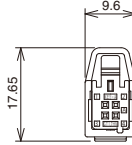
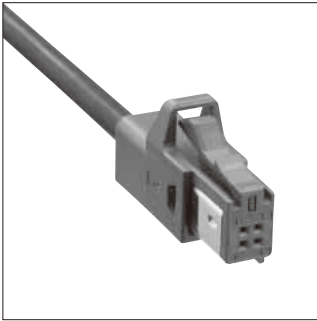
### ◆ Mating Table

Color	Cable side connector	Board side connector				
		SMT type	DIP type			
Brown	GT17HNS-4DS-ASSY (Key type : A)	GT17HN-4DP-2H(A)(55)	GT17HJ-4DP-2DSA(55) GT17HG-4DP-2DSA(A)(55) GT17HN-4DP-2DS(A) GT17HNF-4DP-2DS(A)(55) GT17HN-4DP-4DS(A)(10)			
		GT17HN-4DP-2H(A)(57)				
		GT17HN-4DP-2H(A)(65)				
		GT17HNR-4DP-2H(A)(55)				
		GT17HNL-4DP-2H(A)(55)				
		GT17HNNH-4DP-2H(A)(10)				
		GT17HN-4/4DP-2H(AA)(55)				
		GT17HN-4/4DP-2H(BA)(55)				
		GT17HN-4/4DP-2H(AC)(56)				
		GT17HND-4/4DP-2H(AA)(55)				
Green	GT17HNS-4DS-ASSY (Key type : B)	GT17HN-4DP-2H(B)(55)	GT17HG-4DP-2DSA(B)(55) GT17HN-4DP-2DS(B) GT17HN-4DP-2DS(B)(10)			
		GT17HN-4DP-2H(B)(57)				
		GT17HN-4DP-2H(B)(66)				
		GT17HNL-4DP-2H(B)(55)				
		GT17HNNH-4DP-2H(B)(10)				
		GT17HN-4/4DP-2H(BA)(55)				
		GT17HN-4/4DP-2H(BC)(55)				
		GT17HN-4/4DP-2H(BC)(57)				
		GT17HN-4DP-2H(C)(55)				
		GT17HN-4DP-2H(C)(57)				
Blue	GT17HNS-4DS-ASSY (Key type : C)	GT17HN-4DP-2H(C)(58)	GT17HG-4DP-2DSA(C)(55) GT17HN-4DP-2DS(C) GT17HN-4DP-2DS(C)(10)			
		GT17HNNH-4DP-2H(C)(10)				
		GT17HN-4/4DP-2H(BC)(56)				
		GT17HN-4/4DP-2H(BC)(55)				
		GT17HN-4/4DP-2H(BC)(57)				
		Black		GT17HNS-4DS-ASSY (Key type : D)	GT17HN-4P-2H(D)(55)	GT17HG-4DP-2DSA(D)(55) GT17HN-4DP-2DS(D) GT17HN-4DP-2DS(D)(10)
					GT17HN-4P-2H(D)(57)	
					GT17HN-4P-2H(D)(58)	
					GT17HNNH-4DP-2H(D)(10)	

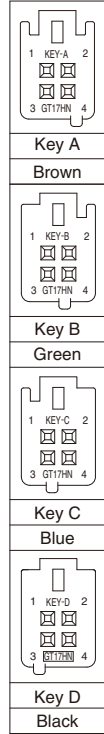
Jul.1..2021 Copyright 2021 HIROSE ELECTRIC CO., LTD. All Rights Reserved.

GT5  
 GT13  
 GT16  
 GT19  
 GT21  
 GT36  
 GT43  
**GT17**  
 GT32  
 GT25  
 KM37  
 ZE05  
 Z09J2  
 HH-200  
 Z09M4  
 T20J23  
 FX26  
 DP40  
 DP40GL  
 RH28K  
 FH2K  
 FH5  
 FH40  
 FH63  
 FH67

## 4-pos Straight Plug Connector With Lock Guard



### Key Variations



This product consists of four parts.  
(Housing, insulated case, outer terminal, and center terminal)

#### Housing

Part No.	HRS No.	Material / Finish or color	Sales unit	RoHS
GT17HNS2-4DS-HU	767-0190-3	PBT/ Dark gray	1	○

#### Insulated Case

Part No.	HRS No.	Material / Finish or color	Sales unit	RoHS
GT17HN-4DS-2C(A)	767-0140-5	PBT/ Brown	1	○
GT17HN-4DS-2C(B)	767-0147-4	PBT/ Green		
GT17HN-4DS-2C(C)	767-0148-7	PBT/ Blue		
GT17HN-4DS-2C(D)	767-0149-0	PBT/ Black		

#### Outer Terminal

Part No.	HRS No.	Material / Finish or color	Jacket outer diameter	Sales unit	RoHS
GT17HNS-4DS-5CF	767-0151-1	Copper alloy / Tin plating	φ4.8~5.2	1	○

#### Center Terminal

Part No.	HRS No.	Material / Finish or color	Conductor size	Jacket outer diameter	Sales unit	RoHS
GT8-2428SCF(70)	758-0001-8 70	Phosphor bronze / Tin plating	AWG#24~28	φ0.8~1.5	10,000 pcs/reel	○

### Mating Table

Color	Cable side connector	Board side connector	
		SMT type	DIP type
Brown	GT17HNS2-4DS-ASSY (Key type : A)	GT17HN-4DP-2H(A)(55)	GT17HJ-4DP-2DSA(55) GT17HG-4DP-2DSA(A)(55) GT17HN-4DP-2DS(A) GT17HNF-4DP-2DS(A)(55) GT17HN-4DP-4DS(A)(10)
		GT17HN-4DP-2H(A)(57)	
		GT17HN-4DP-2H(A)(65)	
		GT17HNR-4DP-2H(A)(55)	
		GT17HNL-4DP-2H(A)(55)	
		GT17HNN-4DP-2H(A)(10)	
Green	GT17HNS2-4DS-ASSY (Key type : B)	GT17HN-4/4DP-2H(AA)(55)	GT17HG-4DP-2DSA(B)(55) GT17HN-4DP-2DS(B) GT17HN-4DP-2DS(B)(10)
		GT17HN-4/4DP-2H(BA)(55)	
		GT17HN-4/4DP-2H(AC)(55)	
		GT17HND-4/4DP-2H(AA)(55)	
		GT17HN-4DP-2H(B)(57)	
		GT17HN-4DP-2H(B)(66)	
Blue	GT17HNS2-4DS-ASSY (Key type : C)	GT17HNL-4DP-2H(B)(55)	GT17HG-4DP-2DSA(C)(55) GT17HN-4DP-2DS(C) GT17HN-4DP-2DS(C)(10)
		GT17HNNH-4DP-2H(B)(10)	
		GT17HN-4/4DP-2H(BA)(55)	
		GT17HN-4/4DP-2H(BC)(55)	
		GT17HN-4/4DP-2H(BC)(57)	
		GT17HN-4DP-2H(C)(55)	
Black	GT17HNS2-4DS-ASSY (Key type : D)	GT17HN-4DP-2H(C)(57)	GT17HG-4DP-2DSA(D)(55) GT17HN-4DP-2DS(D) GT17HN-4DP-2DS(D)(10)
		GT17HN-4DP-2H(C)(58)	
		GT17HNNH-4DP-2H(C)(10)	
		GT17HN-4/4DP-2H(AC)(56)	
		GT17HN-4/4DP-2H(BC)(55)	
		GT17HN-4/4DP-2H(BC)(57)	

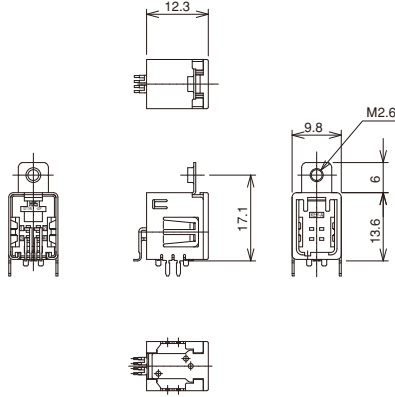
Copyright 2021 HIROSE ELECTRIC CO., LTD. All rights reserved.

## ■ 4-pos Board Connector (Right Angle SMT type)

### ● Type with M2.6 Screw Flange

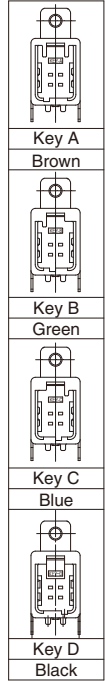


GT17HN-4DP-2H(A)(55)



Part No.	HRS No.	Color	Material / Finish	Sales unit	RoHS
GT17HN-4DP-2H(A)(55)	767-0144-6 55	Brown	Housing : PPS Center terminal : Brass/Tin plating Outer terminal : Copper alloy/Tin plating	1	○
GT17HN-4DP-2H(B)(55)	767-0175-0 55	Green			
GT17HN-4DP-2H(C)(55)	767-0176-2 55	Blue			
GT17HN-4DP-2H(D)(55)	767-0276-7 55	Black			

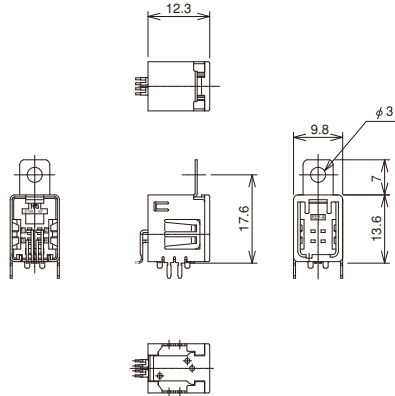
Key Variations



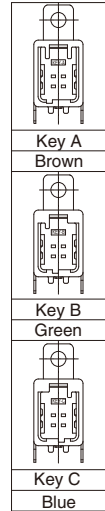
### ● Type with $\phi 3$ Flange



GT17HN-4DP-2H(A)(57)



Key Variations

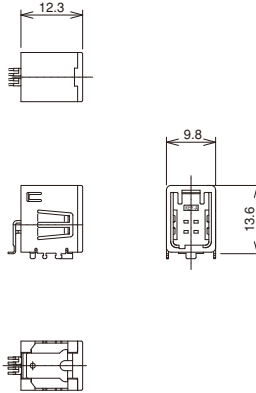


Part No.	HRS No.	Color	Material / Finish	Sales unit	RoHS
GT17HN-4DP-2H(A)(57)	767-0144-6 57	Brown	Housing : PPS Center terminal : Brass/Tin plating Outer terminal : Copper alloy/Tin plating	1	○
GT17HN-4DP-2H(B)(57)	767-0175-0 57	Green			
GT17HN-4DP-2H(C)(57)	767-0176-2 57	Blue			

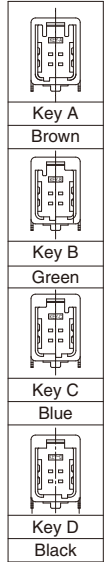
● Flangeless type



GT17HN-4DP-2H(A)(65)

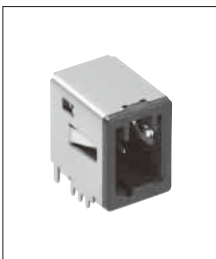


Key Variations

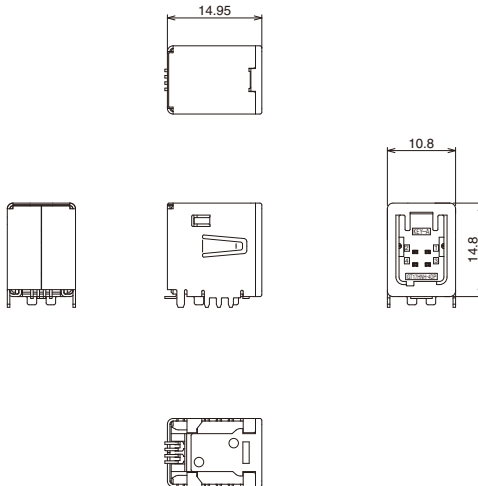


Part No.	HRS No.	Color	Material / Finish	Sales unit	RoHS
GT17HN-4DP-2H(A)(65)	767-0144-6 65	Brown	Housing : PPS Center terminal : Brass/Tin plating Outer terminal : Copper alloy/Tin plating	300 pcs/reel	○
GT17HN-4DP-2H(B)(66)	767-0175-0 66	Green			
GT17HN-4DP-2H(C)(58)	767-0176-2 58	Blue			
GT17HN-4DP-2H(D)(57)	767-0276-7 57	Black			

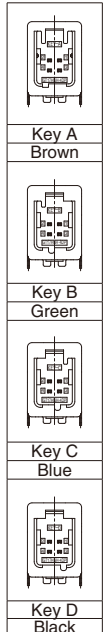
● Enhanced Anti-pry Performance type



GT17HNH-4DP-2H(A)(10)



Key Variations



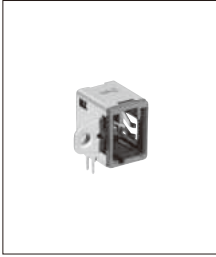
Part No.	HRS No.	Color	Material / Finish	Sales unit	RoHS
GT17HNH-4DP-2H(A)(10)	767-0312-9 10	Brown	Housing : PPS Center terminal : Brass/Tin plating Outer terminal : Copper alloy/Tin plating	1	○
GT17HNH-4DP-2H(B)(10)	767-0339-5 10	Green			
GT17HNH-4DP-2H(C)(10)	767-0340-4 10	Blue			
GT17HNH-4DP-2H(D)(10)	767-0341-7 10	Black			

Jul. 1., 2021 Copyright 2021 HIROSE ELECTRIC CO., LTD. All Rights Reserved.

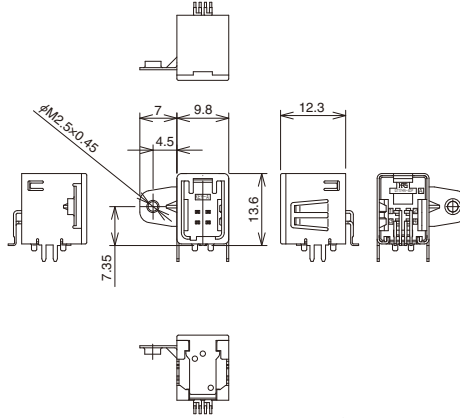
GT5 GT13 GT16 GT19 FH65 FH40 FH35 FH67

GT5  
GT113  
GT116  
GT119  
GT121  
GT136  
GT143  
GT17  
GT132  
GT125  
KM37  
ZE05  
ZE05J2  
HM-200  
ZE04W  
T202K  
E326  
DF40  
DF40GL  
RH28K  
FH32K  
FH65  
FH40  
FH63S  
FH67

● Type with M2.5 Screw Left Flange



GT17HNL-4DP-2H(A)(55)

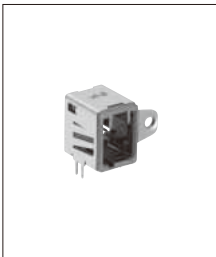


Key Variations

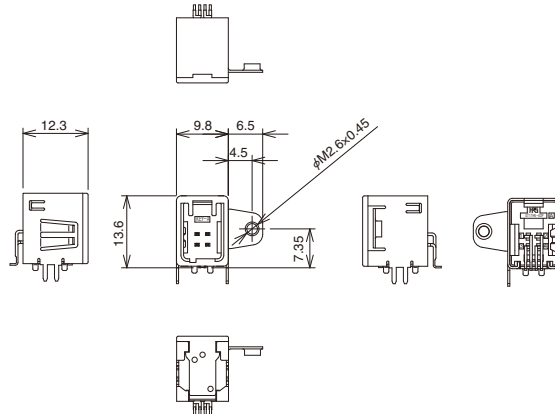
Key A
Brown
Key B
Green

Part No.	HRS No.	Color	Material / Finish	Sales unit	RoHS
GT17HNL-4DP-2H(A)(55)	767-0229-7 55	Brown	Housing : PPS	1	○
GT17HNL-4DP-2H(B)(55)	767-0237-5 55	Green	Center terminal : Brass/Tin plating Outer terminal : Copper alloy/Tin plating		

● Type with M2.6 Screw Right Flange



GT17HNR-4DP-2H(A)(55)

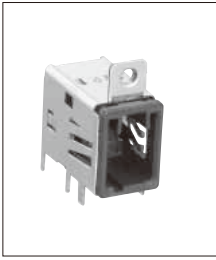


Part No.	HRS No.	Color	Material / Finish	Sales unit	RoHS
GT17HNR-4DP-2H(A)(55)	767-0230-6 55	Brown	Housing : PPS Center terminal : Brass/Tin plating Outer terminal : Copper alloy/Tin plating	1	○

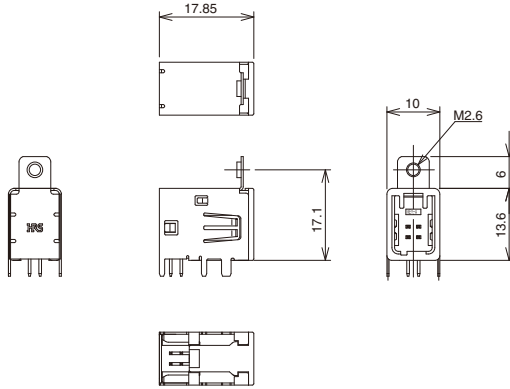
Jul.1.2021 Copyright 2021 HIROSE ELECTRIC CO., LTD. All Rights Reserved.

## ■ 4-pos Board Connector (Right Angle DIP type)

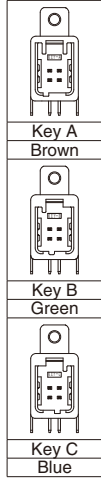
### ● Type with M2.6 Screw Flange



GT17HN-4DP-2DS(A)

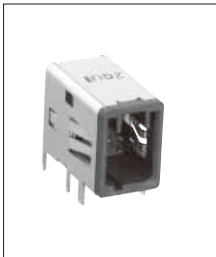


### Key Variations

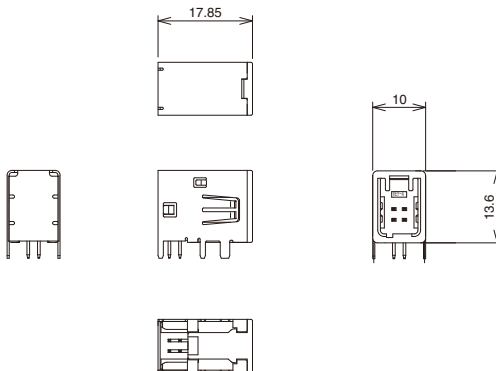


Part No.	HRS No.	Color	Material / Finish	Sales unit	RoHS
GT17HN-4DP-2DS(A)	767-0213-7	Brown	Housing : PBT	1	○
GT17HN-4DP-2DS(B)	767-0266-3	Green	Center terminal : Brass/Tin plating		
GT17HN-4DP-2DS(C)	767-0265-0	Blue	Outer terminal : Copper alloy/Tin plating		

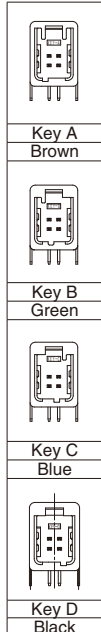
### ● Flangeless type



GT17HN-4DP-2DS(A)(10)



### Key Variations



Part No.	HRS No.	Color	Material / Finish	Sales unit	RoHS
GT17HN-4DP-2DS(A)(10)	767-0213-7 10	Brown	Housing : PBT Center terminal : Brass/Tin plating Outer terminal : Copper alloy/Tin plating	1	○
GT17HN-4DP-2DS(B)(10)	767-0266-3 10	Green			
GT17HN-4DP-2DS(C)(10)	767-0265-0 10	Blue			
GT17HN-4DP-2DS(D)(10)	767-0343-0 10	Black			

Jul. 1, 2021 Copyright 2021 HIROSE ELECTRIC CO., LTD. All rights reserved.

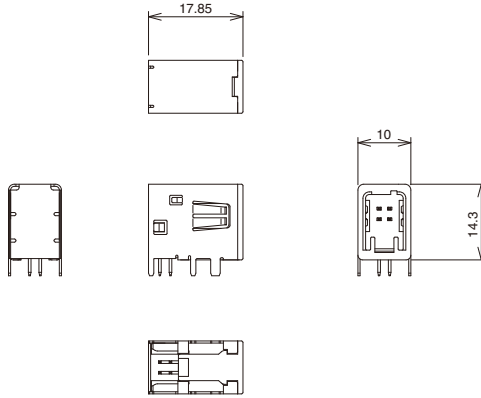
GT5  
GT13  
GT16  
GT19  
GT21  
GT36  
GT43  
GT17  
GT32  
GT25  
KM32  
ZE05  
ZG052  
HM-200  
ZS04W  
T2323  
EX26  
DF40  
DF40GL  
RH28K  
FH2K  
FH5  
FH40  
FH33  
FH27

Jul.1.2021 Copyright 2021 HIROSE ELECTRIC CO., LTD. All Rights Reserved.

● Type with M2.6 Screw Flange

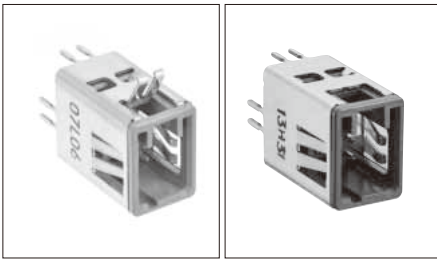


GT17HNF-4DP-2DS(A)(55)

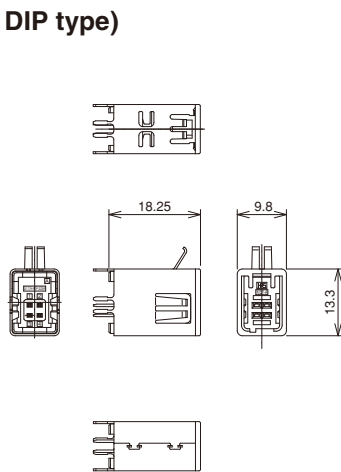


Part No.	HRS No.	Color	Material / Finish	Sales unit	RoHS
GT17HNF-4DP-2DS(A)(55)	767-0236-2 55	Brown	Housing : PBT Center terminal : Brass/Tin plating Outer terminal : Copper alloy/Tin plating	1	○

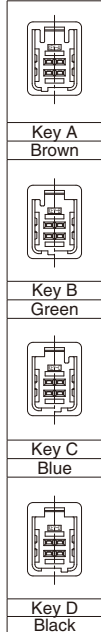
■ 4-pos Board Connector (Straight DIP type)



GT17HJ-4DP-2DSA(55) GT17HG-4DP-2DSA(A)(55)



Key Variations



Part No.	HRS No.	Color	Material / Finish	Sales unit	RoHS
GT17HJ-4DP-2DSA(55)	767-0160-2 55	Brown	Housing : PPS Center terminal : Brass/Tin plating Outer terminal : Copper alloy/Tin plating	1	○
GT17HG-4DP-2DSA(A)(55)	767-0314-4 55				
GT17HG-4DP-2DSA(B)(55)	767-0315-7 55	Green			
GT17HG-4DP-2DSA(C)(55)	767-0316-0 55	Blue			
GT17HG-4DP-2DSA(D)(55)	767-0317-2 55	Black			



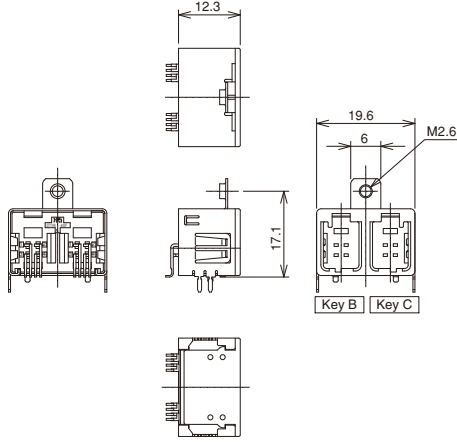
Jul. 1., 2021 Copyright 2021 HIROSE ELECTRIC CO., LTD. All rights reserved. GT5 GT13 GT16 GT19 FH65 FH40 FH35 FH67

## ■ 4/4-pos Board Connector (SMT type)

### ● Type with M2.6 Screw Flange



GT17HN-4/4DP-2H(BC)(55)

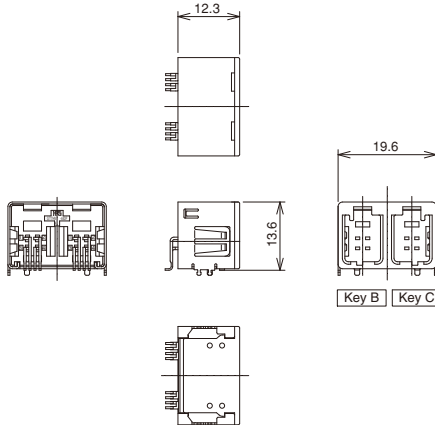


Part No.	HRS No.	Color	Material / Finish	Sales unit	RoHS
GT17HN-4/4DP-2H(BC)(55)	767-0145-9 55	Light gray	Housing : PPS	1	○
GT17HND-4/4DP-2H(AA)(55)	767-0327-6 55	Brown	Center terminal : Brass/Tin plating		
			Outer terminal : Copper alloy/Tin plating		

### ● Flangeless type



GT17HN-4/4DP-2H(BC)(57)

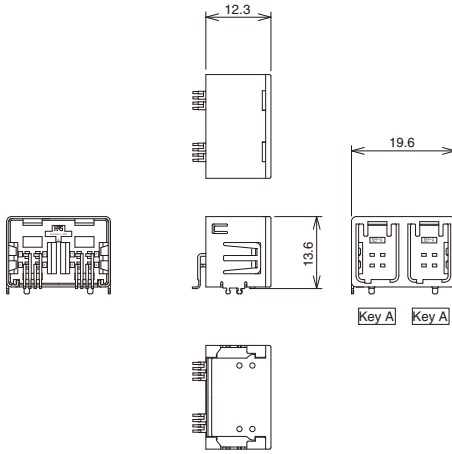


Part No.	HRS No.	Color	Material / Finish	Sales unit	RoHS
GT17HN-4/4DP-2H(AC)(56)	767-0015-0 56	Light gray	Housing : PPS	200 pcs/reel	○
GT17HN-4/4DP-2H(BC)(57)	767-0145-9 57		Center terminal : Brass/Tin plating		
			Outer terminal : Copper alloy/Tin plating		

● Flangeless type



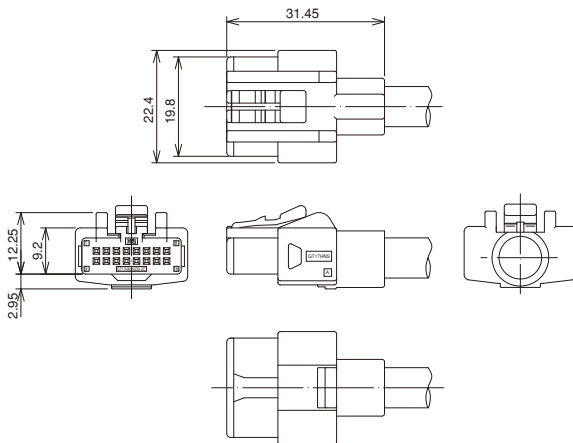
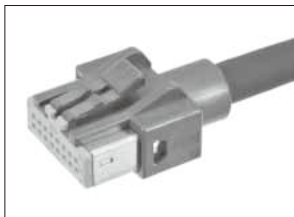
GT17HN-4/4DP-2H(AA)(55)



Part No.	HRS No.	Color	Material / Finish	Sales unit	RoHS
GT17HN-4/4DP-2H(AA)(55)	767-0246-6 55	Brown	Housing : PPS Center terminal : Brass/Tin plating	1	○
GT17HN-4/4DP-2H(BA)(55)	767-0318-5 55	Light gray	Outer terminal : Copper alloy/Tin plating		

Jul. 1., 2021 Copyright 2021 HIROSE ELECTRIC CO., LTD. All rights reserved. GT19 GT16 GT13 GT5 FH65 FH40 FH35 FH27

## ■ 16-pos Straight Plug Connector



◆ This product consists of four parts.  
(Housing, insulated case, outer terminal, and center terminal)

● Housing

Part No.	HRS No.	Material / Finish or color	Sales unit	RoHS
GT17HNS-16DS-HU	767-0164-3	PBT/ Dark gray	1	○

● Insulated Case

Part No.	HRS No.	Material / Finish or color	Sales unit	RoHS
GT17HN-16DS-2C	767-0162-8	PBT/ Light gray	1	○

● Outer Terminal

Part No.	HRS No.	Material / Finish or color	Jacket outer diameter	Sales unit	RoHS
GT17HNS-16DS-8CF	767-0165-6	Copper alloy / Tin plating	φ7.8~8.2	1	○

● Center Terminal

Part No.	HRS No.	Material / Finish or color	Conductor size	Jacket outer diameter	Sales unit	RoHS
GT8-2428SCF(70)	758-0001-8 70	Phosphor bronze / Tin plating	AWG#24~28	φ0.8~1.5	10,000 pcs/reel	○

◆ Mating Table

Color	Cable side connector	Board connector
Gray	GT17HNS-16DS-HU	GT17HN-16DP-2H GT17HN-16DP-2H(10)

GT5  
GT13  
GT16  
GT19  
GT21  
GT36  
GT43  
GT17  
GT32  
GT25  
KM37  
ZE05  
ZE05J2  
HM-200  
ZE64W  
E2372L  
FX26  
DF40  
DF40GL  
RH28K  
FH2K  
FH65  
FH40  
FH63  
FH67

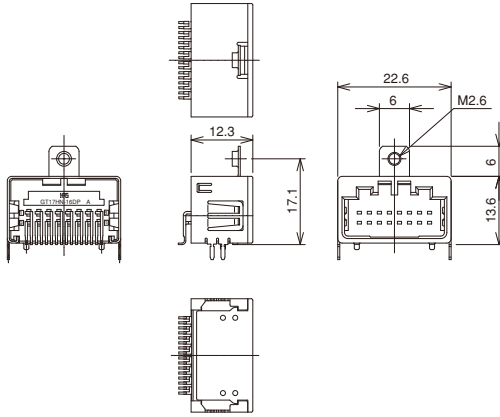
Jul.1.2021 Copyright 2021 HIROSE ELECTRIC CO., LTD. All Rights Reserved.

## ■ 16-pos In-line Connector (SMT type)

### ● Type with M2.6 Screw Flange



GT17HN-16DP-2H(55)

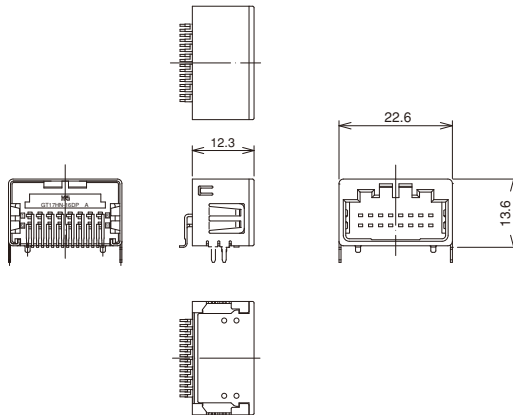


Part No.	HRS No.	Color	Material / Finish	Sales unit	RoHS
GT17HN-16DP-2H(55)	767-0153-7 55	Light gray	Housing : PPS Center terminal : Brass/Tin plating Outer terminal : Copper alloy/Tin plating	1	○

### ● Flangeless type



GT17HN-16DP-2H(56)



Part No.	HRS No.	Color	Material / Finish	Sales unit	RoHS
GT17HN-16DP-2H(56)	767-0153-7 56	Light gray	Housing : PPS Center terminal : Brass/Tin plating Outer terminal : Copper alloy/Tin plating	200 pcs/reel	○

## ◆ Crimping Tools

Please ask your Hirose Electric account representative for a user manual.

### Automatic Crimping Machine



Photo for reference only. Subject to change.

Part No. CM-105C

### Specifications

Item	Specifications	Remarks
Press capacity	1.5tons	
Stroke length	30mm	
Number of strokes	200spm (50Hz)	200spm (60Hz)
Weight	75kg	
Motor	0.2kW	AC100V
Crimping speed	2,000-4,000/H	

Note : Please refer to the table below for applicator part numbers.

### Applicator (for Mounting to Automatic Crimping Machines)

Contact Product No.	Contact HRS No.	Tool No.	Tool HRS No.
GT17-2022SCF	767-0009-0	AP105-GT17-2022S	901-5083-5
GT17-2428SCF	767-0010-0	AP105-GT17-2428S	901-5084-8
GT17-30SCF	767-0064-9	AP105-GT17-30S	901-5107-1
GT17-2022PCF	767-0082-0	AP105-GT17-2022P	901-5146-3
GT17-2428PCF	767-0076-8	AP105-GT17-2428P	901-5177-7
GT8-2428SCF(70)	758-0001-8 70	AP105-GT8-2428S	901-5174-9
GT8E-2428PCF	758-0067-6	AP105-GT8E-2428P	901-5192-0

\*1 : Different contact crimp heights are available for different cable types. Please contact your Hirose Electric account representative for details.

Other cables will require different crimp height settings. Please note that this may take a few days.

\*2 : When purchasing HRS equipment, please contact your Hirose Electric account representative to confirm that the cable that you plan to use for the applicable terminal has been evaluated.

\*3 : The applicators and tools listed here may not be applicable depending on the specifications of the cable you use.

### Special contact insertion tool for GT17H-4S-2C

Contact Product No.	Contact HRS No.	Tool No.	Tool HRS No.
GT8-2428SCF(70)	758-0001-8 70	GT17-4S/PR-MD	902-5109-3

\*This tool is used only for inserting the GT8-2428SCF(70) contact into insulated case GT17H-4S-2C. Please note that this tool cannot be used for other terminals or insulated cases.

Copyright 2021 HIROSE ELECTRIC CO., LTD. All Rights Reserved.

## ● Hand Press

Hand Press



Part No. HOS-7

## Outer Shell Caulking Tool (for Mounting Hand Press)

Contact Product No.	Contact HRS No.	Outer shell caulking tool part No.	Outer shell caulking tool HRS No.
GT17V-6DS-5CF	767-0027-2	GT17VS-6DS-5/CR-MP	902-5099-1
		GT17VS-6DS-5/CR-MP(01)	902-5099-1 01
		GT17VS-6DS-CH48/CR-MP	902-5105-2
		GT17VS-6DS-CH48/CR-MP(01)	902-5105-2 01
GT17VS-6DS-5CF	767-0050-4	GT17VS-6DS-5/CR-MP	902-5099-1
		GT17VS-6DS-5/CR-MP(01)	902-5099-1 01
GT17V-6DS-3.8CF	767-0075-5	GT17V-6DS-3.8/CR-MP	902-5101-1
		GT17V-6DS-3.8/CR-MP(01)	902-5101-1 01
GT17VS-6DP-5CF	767-0080-5	GT17VS-6DP-5/CR-MP	902-5088-5
		GT17VS-6DP-5/CR-MP(01)	902-5088-5 01
GT17S-8DS-7CF	767-0106-7	GT17S-8DS-7/CR-MP	902-5090-7
		GT17S-8DS-7/CR-MP(01)	902-5090-7 01
GT17V-10DS-8CF	767-0037-6	GT17V-10DS/CR-MP	902-5057-1
		GT17V-10DS/CR-MP(01)	902-5057-1 01
GT17VS-10DS-8CF	767-0059-9	GT17V-10DS/CR-MP	902-5057-1
		GT17V-10DS/CR-MP(01)	902-5057-1 01
GT17VS-10DP-5.2CF	767-0114-5	GT17VS-10DP-5.2/CR-MP	902-5084-4
		GT17VS-10DP-5.2/CR-MP(01)	902-5084-4 01
GT17VS-10DS-4.6CF	767-0116-0	GT17VS-10DS-4.6/CR-MP	902-5083-1
		GT17VS-10DS-4.6/CR-MP(01)	902-5083-1 01
GT17H-4S-5CF	767-0087-4	GT17H-4S-5CF/CR-MP	902-5100-9
		GT17H-4S-5CF/CR-MP(01)	902-5100-9 01
GT17HS-4S-5CF	767-0135-5	GT17H-4S-5CF/CR-MP	902-5100-9
		GT17H-4S-5CF/CR-MP(01)	902-5100-9 01
GT17HS-4P-5CF	767-0156-5	GT17HS-4P-5CF/CR-MP	902-5108-0
		GT17HS-4P-5CF/CR-MP(01)	902-5108-0 01
GT17HN-4DS-5CF	767-0142-0	GT17HNS-4DS-5/CR-MP	902-5103-7
		GT17HNS-4DS-5/CR-MP(01)	902-5103-7 01
GT17HNS-4DS-5CF	767-0151-1	GT17HNS-4DS-5/CR-MP	902-5103-7
		GT17HNS-4DS-5/CR-MP(01)	902-5103-7 01
GT17HNS-16DS-8CF	767-0165-6	GT17HNS-16DS-8/CR-MP	902-5102-4
		GT17HNS-16DS-8/CR-MP(01)	902-5102-4 01

\*1 : The outer shell caulking tool with (01) specifications is sold as a bundle with the HOS-7 hand press.

\*2 : Different contact crimp heights are available for different cable types. Please contact your Hirose Electric account representative for details. Please note that we will need to define new crimp heights for novel cables and this may take a few days.

\*3 : When purchasing HRS equipment, please contact your Hirose Electric account representative to confirm that the cable that you plan to use for the applicable terminal has been evaluated.

\*4 : The applicators and tools listed here may not be applicable depending on the specifications of the cable you use.

**Please refer to our cable termination procedure manual for performing terminations.**