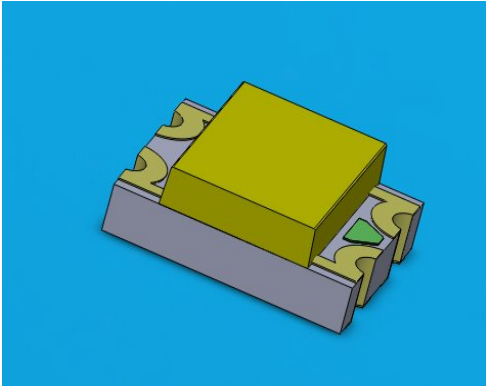


SMD ■ B

15-22/R8T1D-D30/2T

**Features**

- Package in 8mm tape on 7" diameter reel.
- Compatible with automatic placement equipment.
- Compatible with infrared and vapor phase reflow solder process.
- Mono-color type.
- Pb-free.
- The product itself will remain within RoHS compliant version.
- Compliance with EU REACH.
- Compliance Halogen Free .(Br <900 ppm ,Cl <900 ppm , Br+Cl < 1500 ppm).

Description

- The 15-22 SMD LED is much smaller than lead frame type components, thus enable smaller board size, higher packing density, reduced storage space and finally smaller equipment to be obtained.
- Besides, lightweight makes them ideal for miniature applications. etc.

Applications

- Telecommunication: indicator and backlighting in telephone and fax.
- Flat backlight for LCD, switch and symbol.
- General use.

Device Selection Guide

Code	Chip Materials	Emitted Color	Resin Color
R8	AlGaInP	Deep-Red	Yellow Diffused
T1	InGaN	Pure White	

Absolute Maximum Ratings (Ta=25 °C)

Parameter	Symbol	Code	Rating	Unit
Reverse Voltage	V_R		5	V
Forward Current	I_F	R8	25	mA
		T1	10	
Peak Forward Current (Duty 1/10 @1KHz)	I_{FP}	R8	60	mA
		T1	100	
Power Dissipation	P_d	R8	60	mW
		T1	40	
Electrostatic Discharge	ESD_{HBM}	R8	2000	V

T1 150

Operating Temperature	T _{opr}	-40 ~ +85
Storage Temperature	T _{stg}	-40 ~ +90
Soldering Temperature	T _{sol}	Reflow Soldering : 260 for 10 sec. Hand Soldering : 350 for 3 sec.

EVERLIGHT

Electro-Optical Characteristics (Ta=25)

Parameter	Symbol	Code	Min.	Typ.	Max.	Unit	Condition
Luminous Intensity	I _v	R8	4.50	-----	11.5	mcd	
		T1	36.0	-----	90.0		
Viewing Angle	2θ _{1/2}		-----	150	-----	deg	
Peak Wavelength	p	R8	-----	650	-----	nm	
		T1	-----	-----	-----		
Dominant Wavelength	d	R8	629.5	-----	645.5	nm	I _F =2mA
		T1	-----	-----	-----		
Spectrum Radiation Bandwidth		R8	-----	20	-----	nm	
		T1	-----	-----	-----		
Forward Voltage	V _F	R8	1.55	-----	2.15	V	
		T1	2.50	-----	3.50		
Reverse Current	I _R	R8	-----	-----	10	μA	V _R =5V
		T1	-----	-----	50		

Note:

1. Tolerance of Luminous Intensity: ±11%
2. Tolerance of Dominant Wavelength: ±1nm

R8

Bin Range of Luminous Intensity

Bin Code	Min.	Max.	Unit	Condition
J0	4.50	7.20	mcd	$I_F = 2\text{mA}$
K0	7.20	11.5		

Bin Range of Dominant Wavelength

Bin Code	Min.	Max.	Unit	Condition
E7	629.5	633.5	nm	$I_F = 2\text{mA}$
E8	633.5	637.5		
E9	637.5	641.5		
E10	641.5	645.5		

Note:

1. Tolerance of Luminous Intensity: $\pm 11\%$
2. Tolerance of Dominant Wavelength: $\pm 1\text{nm}$

T1

Bin Range of Luminous Intensity

Bin Code	Min.	Max.	Unit	Condition
NA	36.0	57.0	mcd	$I_F = 2\text{mA}$
PA	57.0	90.0		

Note:

1. Tolerance of Luminous Intensity: $\pm 11\%$

Chromaticity Coordinates Specifications for Bin Grading

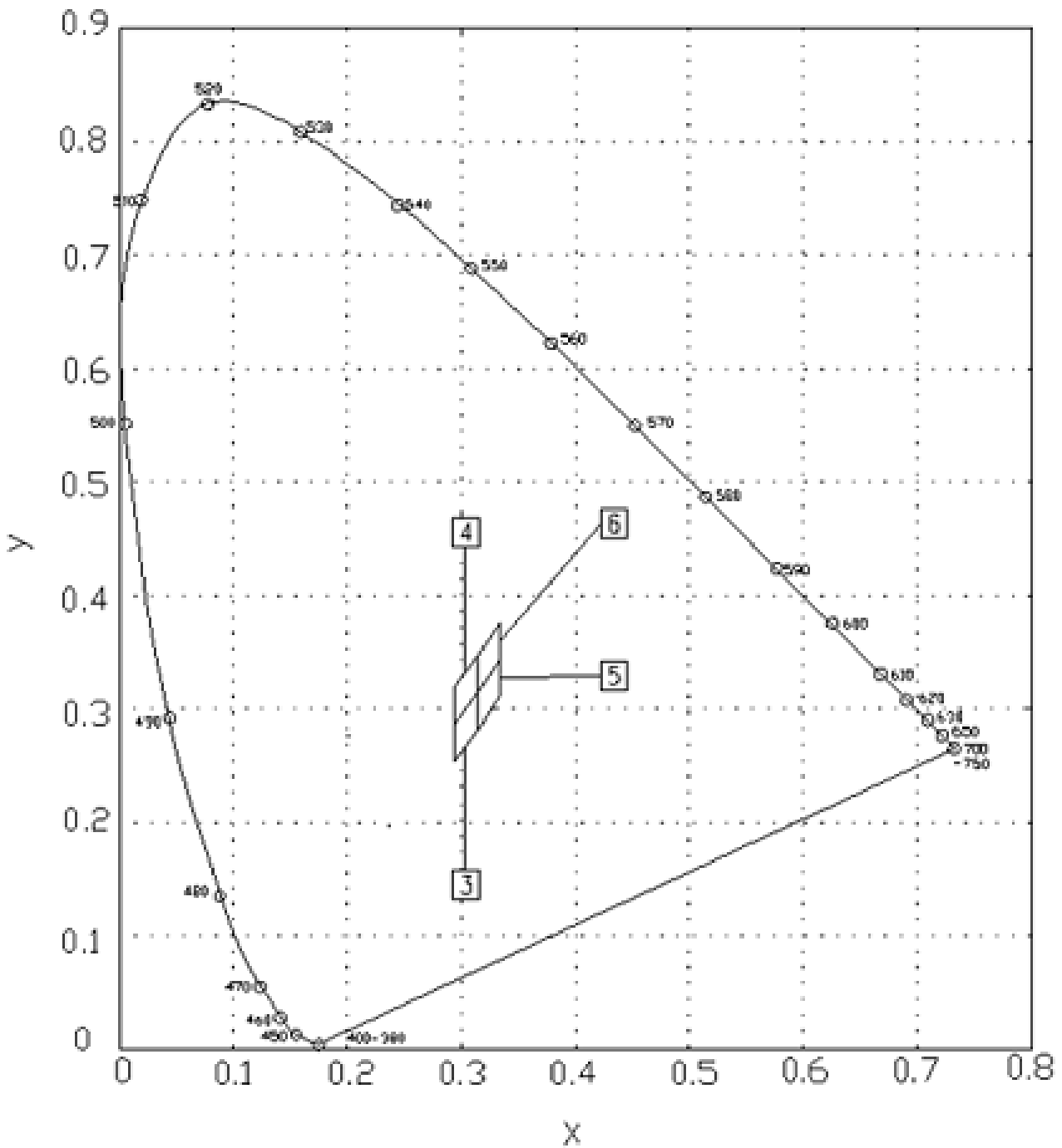
Bin Code	CIE_x	CIE_y	Condition
3	0.294	0.254	I _F =2mA
	0.294	0.286	
	0.314	0.315	
	0.314	0.282	
4	0.294	0.286	
	0.294	0.319	
	0.314	0.347	
	0.314	0.315	
5	0.314	0.282	
	0.314	0.315	
	0.334	0.343	
	0.334	0.311	
6	0.314	0.315	
	0.314	0.347	
	0.334	0.376	
	0.334	0.343	

Notes:

- 1.The C.I.E. 1931 chromaticity diagram (Tolerance ± 0.01).
- 2.The products are sensitive to static electricity and care must be fully taken when handling products.

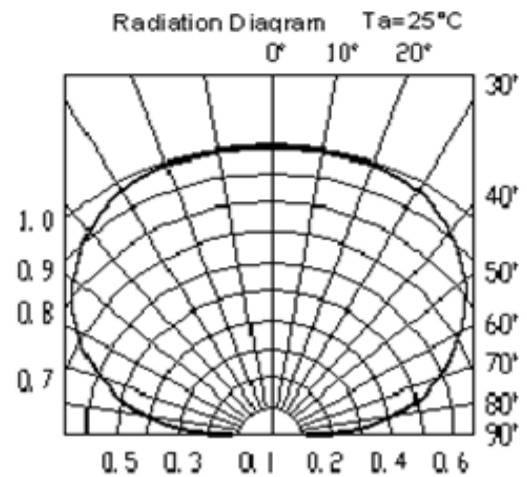
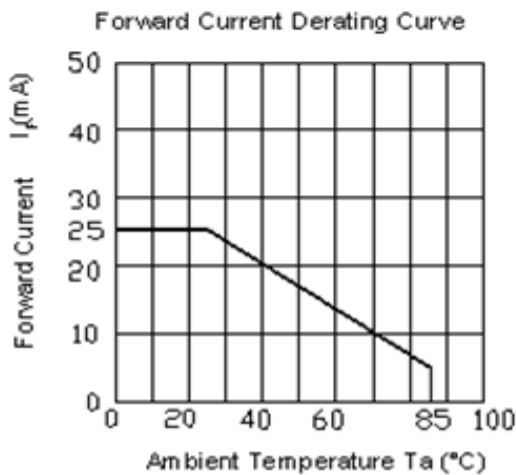
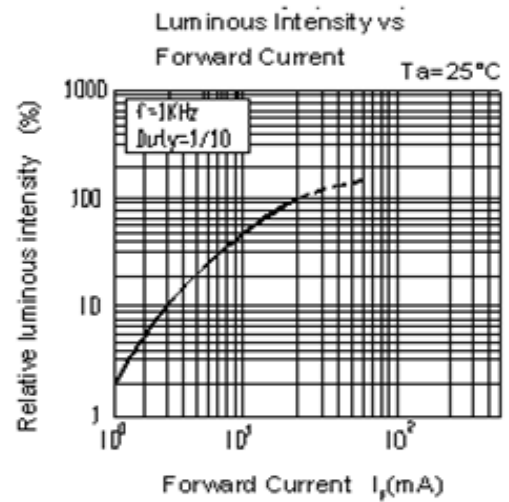
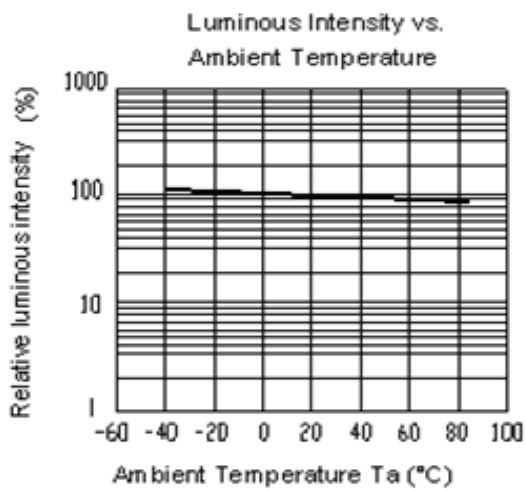
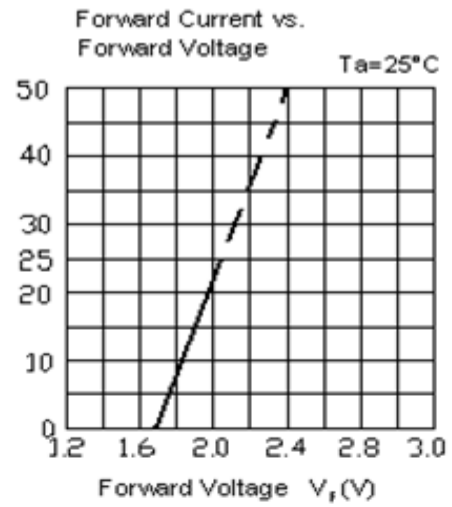
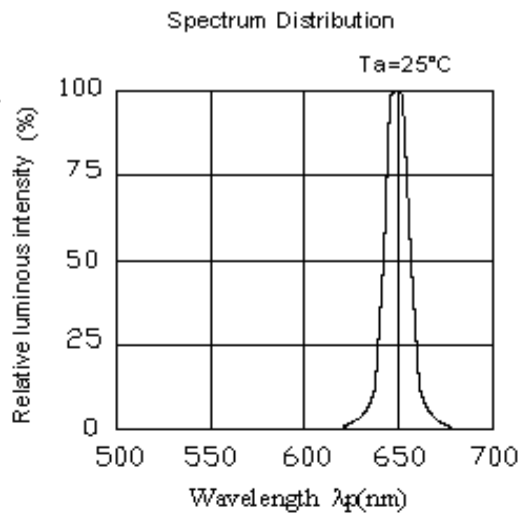
CIE Chromaticity Diagram

EVERLIGHT

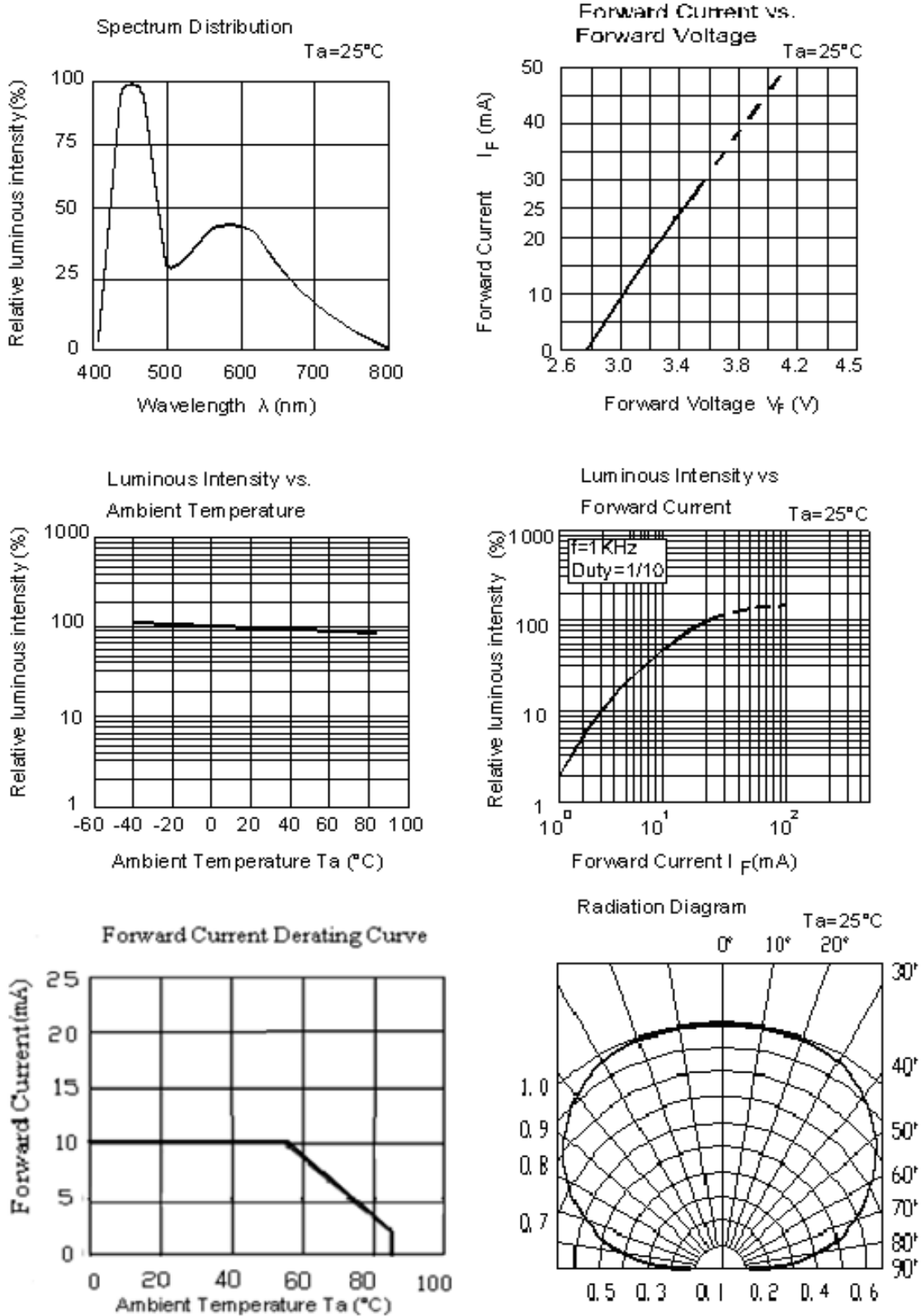


**Typical Electro-Optical Characteristics Curves
R8**

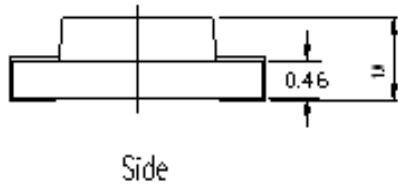
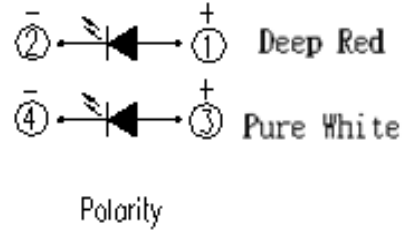
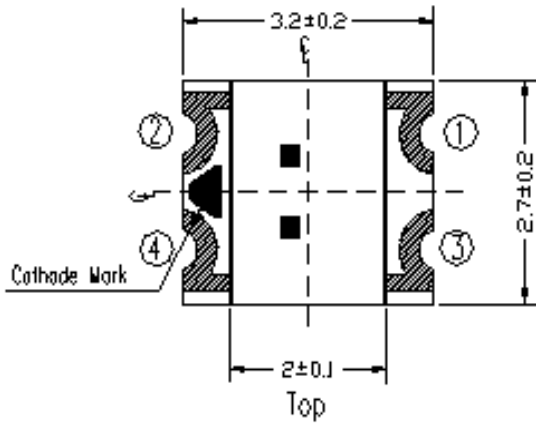
EVERLIGHT



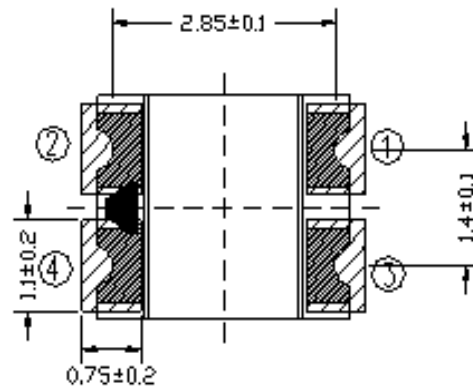
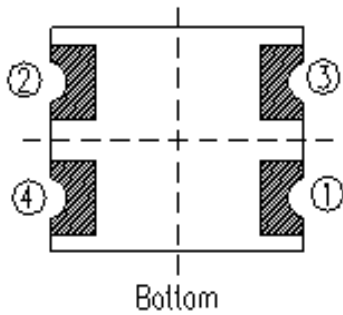
Typical Electro-Optical Characteristics Curves
T1



Package Dimension



Recommend soldering pad



Suggested pad dimension is just for reference only.
Please modify the pad dimension based on individual need.

Note: Tolerances unless mentioned ± 0.1 mm. Unit = mm

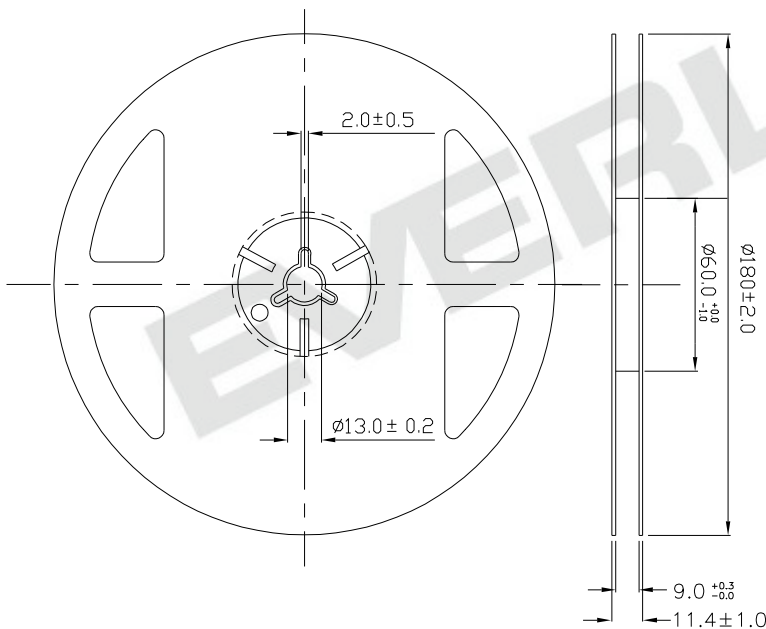
Moisture Resistant Packing Materials

Label Explanation

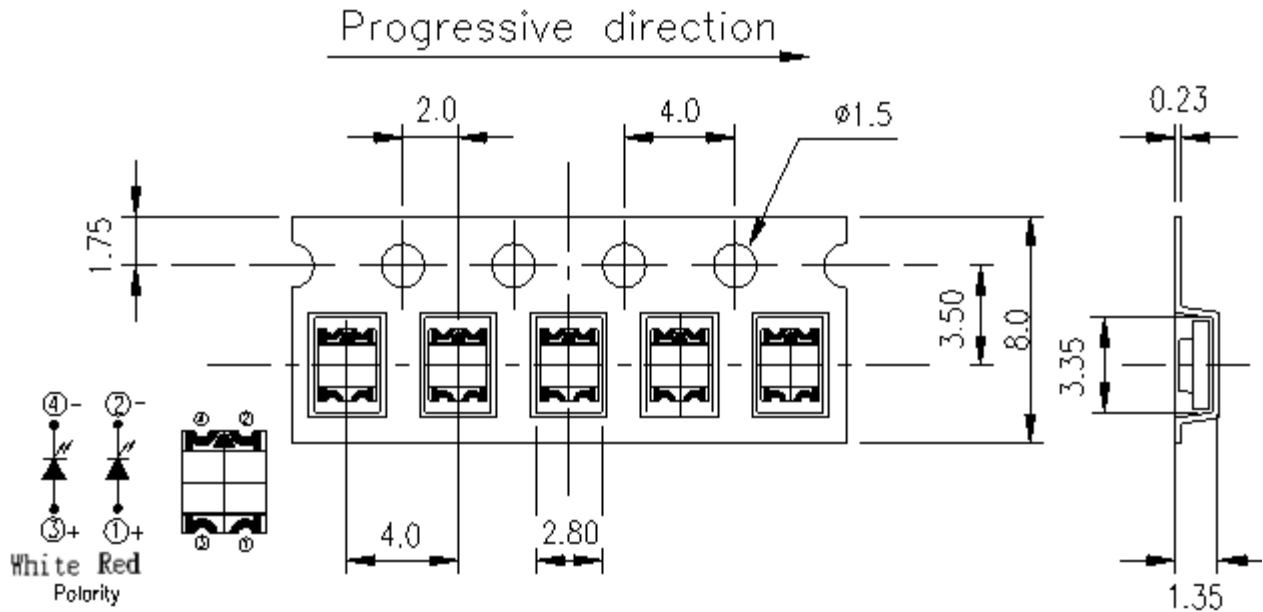


- CPN: Customer's Product Number
 - P/N: Product Number
 - QTY: Packing Quantity
 - CAT: Luminous Intensity Rank
 - HUE: Chromaticity Coordinates & Dom. Wavelength
- Rank**
- REF: Forward Voltage Rank
 - LOT No: Lot Number

Reel Dimensions

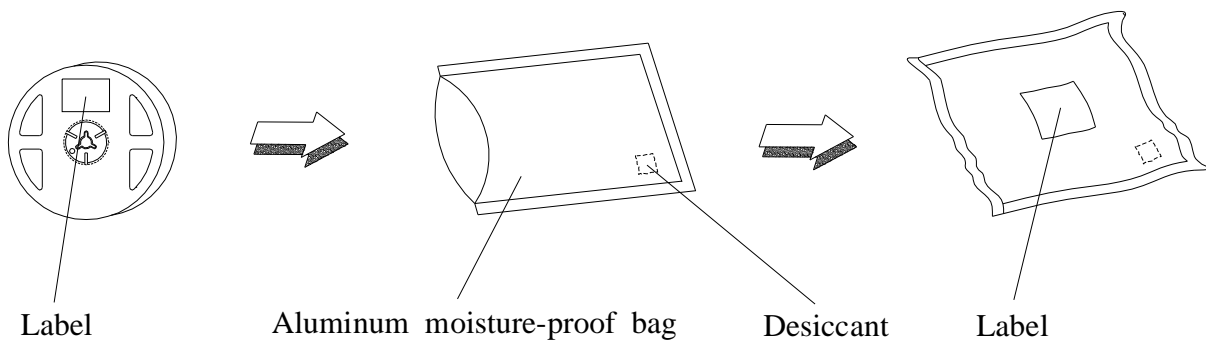


Carrier Tape Dimensions: Loaded quantity 2000 PCS per reel



Note: The tolerances unless mentioned is $\pm 0.1\text{mm}$, Unit = mm

Moisture Resistant Packaging



Precautions For Use

1. Over-current-proof

Customer must apply resistors for protection, otherwise slight voltage shift will cause big current change (Burn out will happen).

2. Storage

2.1 Do not open moisture proof bag before the products are ready to use.

2.2 After opening the package: The LEDs should be kept at 30 or less and 60%RH or less.

2.3 The LED's should be used within 168 hours(7 days) after opening the package

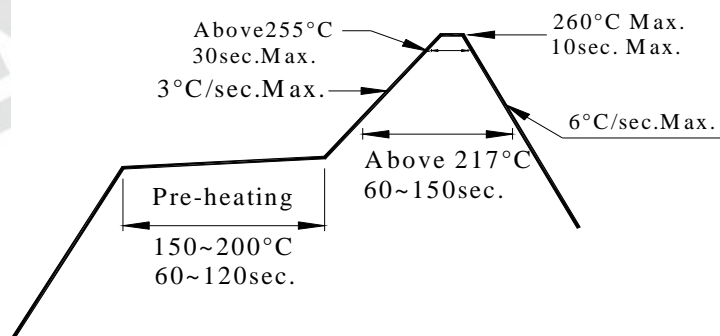
If unused LEDs remain, it should be stored in moisture proof packages.

2.4 If the moisture absorbent material (silica gel) has faded away or the LEDs have exceeded the storage time, baking treatment should be performed using the following conditions.

Baking treatment : 60 ± 5 for 24 hours.

3. Soldering Condition

3.1 Pb-free solder temperature profile



3.2 Reflow soldering should not be done more than two times.

3.3 When soldering, do not put stress on the LEDs during heating.

3.4 After soldering, do not warp the circuit board.

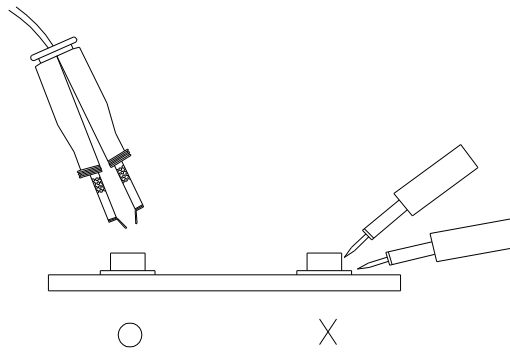
4. Soldering Iron

Each terminal is to go to the tip of soldering iron temperature less than 350 for 3 seconds within once in less than the soldering iron capacity 25W. Leave two seconds and more intervals, and do soldering of each terminal. Be careful

because the damage of the product is often started at the time of the hand solder.

5.Repairing

Repair should not be done after the LEDs have been soldered. When repairing is unavoidable, a double-head soldering iron should be used (as below figure). It should be confirmed beforehand whether the characteristics of the LEDs will or will not be damaged by repairing.



EVERLIGHT

Application Restrictions

High reliability applications such as military/aerospace, automotive safety/security systems, and medical equipment may require different product. If you have any concerns, please contact Everlight before using this product in your application. This specification guarantees the quality and performance of the product as an individual component. Do not use this product beyond the specification described in this document.

EVERLIGHT