

60X60X15 mm

JF0615-00 Series



- **Frame** : Plastic Material UL 94V-0
- **Impeller** : Plastic Material UL 94V-0
- **Speed Range** : ±10%

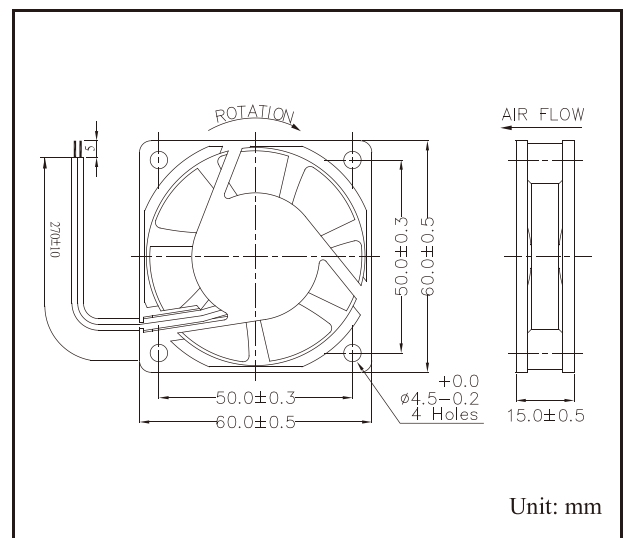
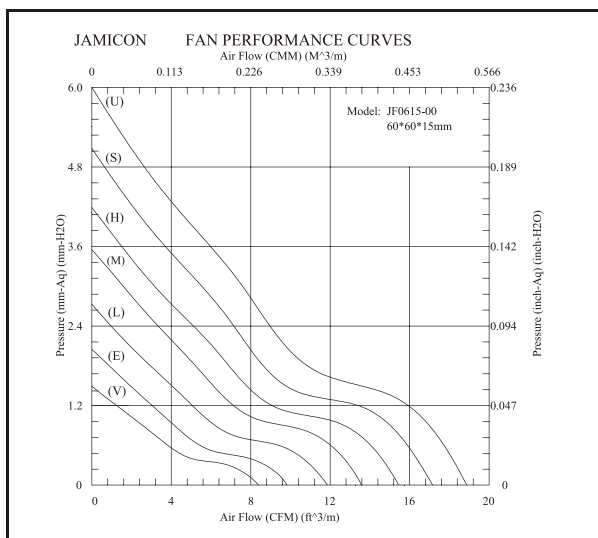
SPECIFICATIONS

Model	Bearing	Rated Voltage (V)	Operating Voltage (V)	Air Flow (CFM)	Static Pressure (inchH ₂ O)	Speed (R.P.M.)	Input Current (Amp)	Input Power (Watt)	Nominal Current (Amp)	Noise (dBA)	Weight (g)		
JF0615-5HR	B, S	5	4.25 ~ 5.75	15.45	0.165	4500	0.25	1.25	0.26	30.5	45		
JF0615-5MR	B, S			13.58	0.140	4000	0.20	1.00	0.21	28.8			
JF0615-5L	B, S			11.86	0.107	3500	0.17	0.85	0.17	25.4			
JF0615-5E	B, S			9.82	0.081	3000	0.14	0.70	0.14	21.2			
JF0615-5V	B, S			8.39	0.059	2500	0.11	0.55	0.11	17.9			
JF0615B1UR	B	12	10.2 ~ 13.8	18.87	0.220	5500	0.15	1.80	0.16	37.5			
JF0615B1S	B			17.16	0.200	5000	0.14	1.68	0.15	33.7			
JF0615-1H	B, S			15.45	0.165	4500	0.13	1.56	0.17	30.5			
JF0615-1M	B, S			13.58	0.140	4000	0.12	1.44	0.15	28.8			
JF0615-1L	B, S			11.86	0.107	3500	0.10	1.20	0.12	25.4			
JF0615-1E	B, S			9.82	0.081	3000	0.08	0.96	0.09	21.2			
JF0615-1V	B, S			8.39	0.059	2500	0.07	0.84	0.07	17.9			
JF0615B2UR	B			24	20.4 ~ 27.6	18.87	0.220	5500	0.11	2.64		0.12	37.5
JF0615B2S	B					17.16	0.200	5000	0.10	2.40		0.11	33.7
JF0615-2H	B, S					15.45	0.165	4500	0.13	3.12		0.13	30.5
JF0615-2M	B, S	13.58	0.140			4000	0.11	2.64	0.11	28.8			
JF0615-2L	B, S	11.86	0.107			3500	0.09	2.16	0.09	25.4			
JF0615-2E	B, S	9.82	0.081			3000	0.06	1.44	0.06	21.2			
JF0615-2V	B, S	8.39	0.059	2500	0.04	0.96	0.04	17.9					

Specifications subject to change without notice

The 7TH character of Model No means the bearing code. Please refer to the page "PART NUMBER SYSTEM".

Please contact us for detail if your request bearing system is not shown in the above list.



Unit: mm