

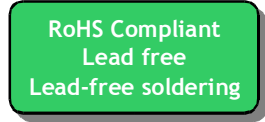
SAW Filter 2441.75MHz (BW 83.5MHz) SMD 1.1x0.9x0.5mm(TC SAW)

MODEL NO.:TA2545ATCA

REV. NO.:1.0

A. MAXIMUM RATING:

1. Input Power Level: 10 dBm
2. DC Voltage : 3V
3. Operating Temperature: -30 °C to +85 °C
4. Storage Temperature: -40 °C to +105 °C
5. Moisture Sensitivity Level: Level 3(MSL3)



Electrostatic Sensitive Device (ESD)

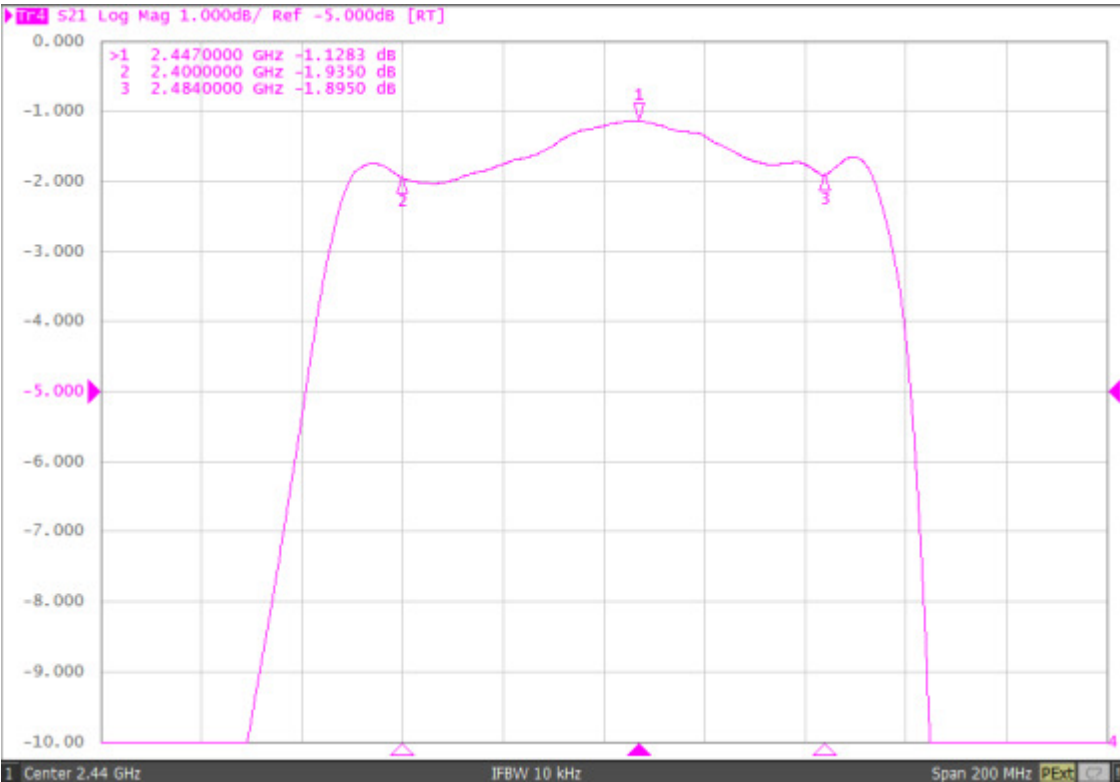
B. ELECTRICAL CHARACTERISTICS:

Item	Unit	Min	Type.	Max
Center Frequency Fc	MHz	-	2441.75	-
Insertion Loss IL 2400 ~ 2483.5 MHz	dB		1.7	2.2
Amplitude ripple 2400 ~ 2483.5 MHz			0.7	1.2
VSWR 2400 ~ 2483.5 MHz			2.0	2.2
Attenuation				
0.1 – 960 MHz	dB	33	38	
1570 – 1990 MHz	dB	37	42	
2110 – 2170 MHz	dB	32	37	
2170 – 2300 MHz	dB	26	31	
2300 – 2320 MHz	dB	25	30	
2320 – 2345 MHz	dB	20	23	
2345 – 2365 MHz	dB	8	13	
2550 – 2800 MHz	dB	15	19	
2800 – 4000 MHz	dB	25	30	
4000 – 5000 MHz	dB	25	30	
Temperature coefficient	ppm/°C	-18		
Package size	mm	SMD 1.1x0.9		

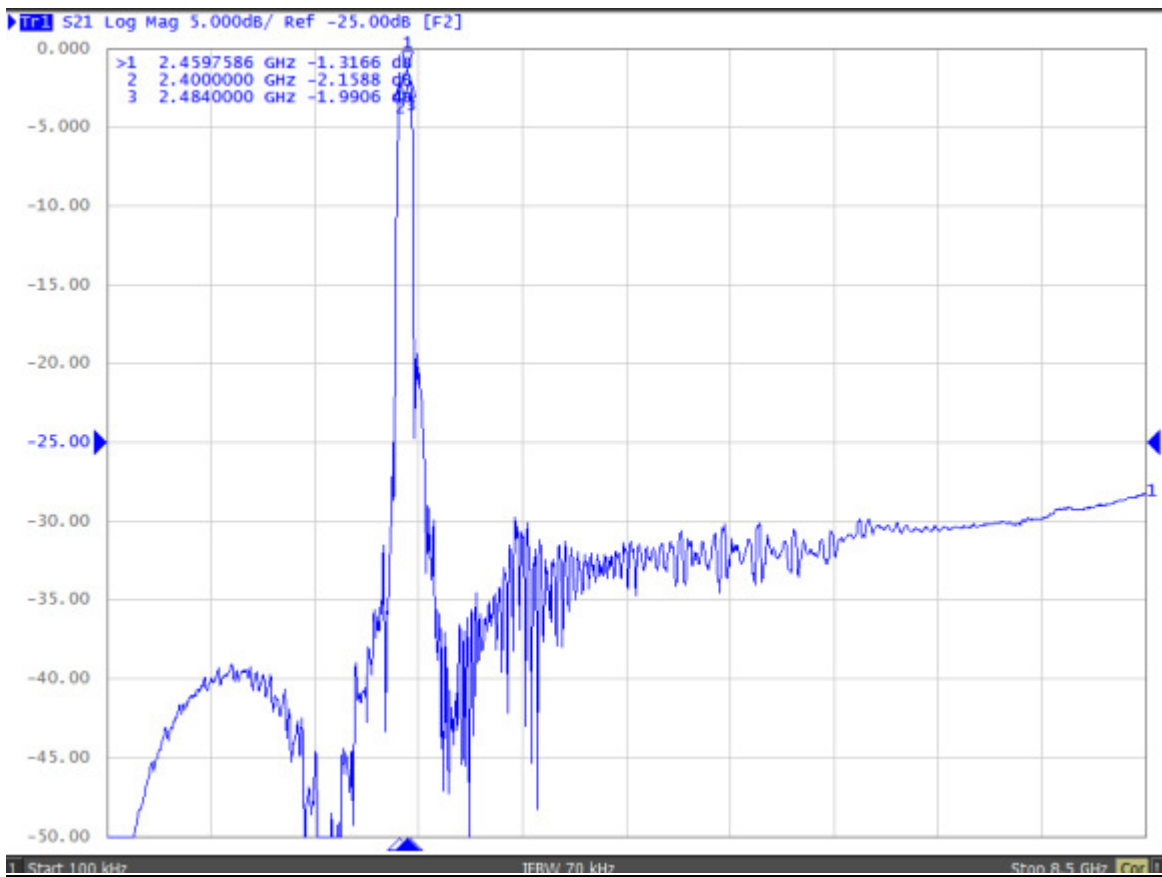
C.FREQUENCY CHARACTERISTICS:
S21 response: (span 500MHz)



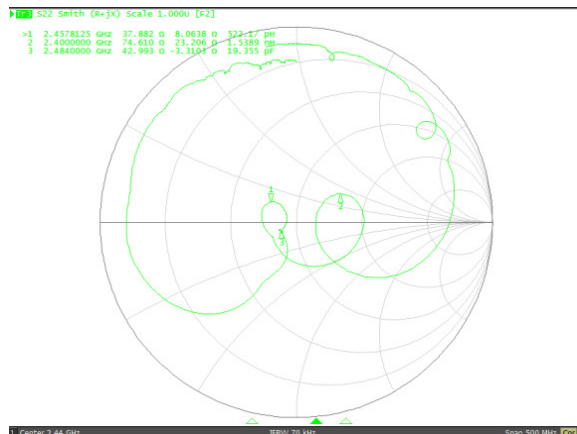
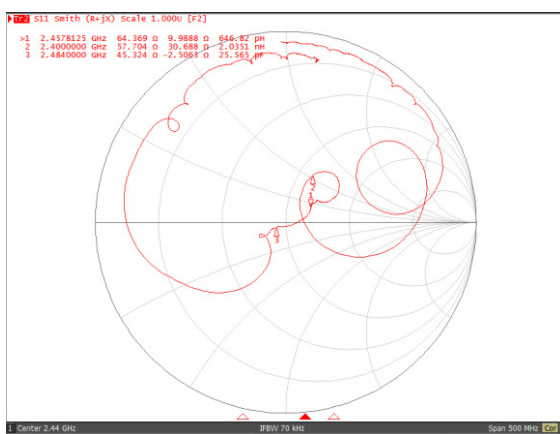
S21 response: (span 200MHz)



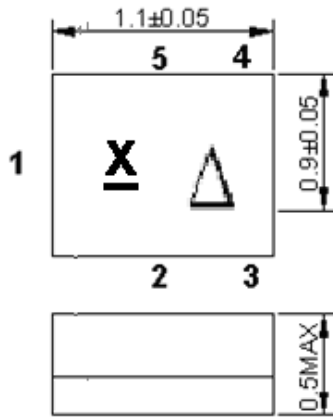
S21 response: (span 8.5GHz)



S11/S22 response:



D. OUTLINE DRAWING:

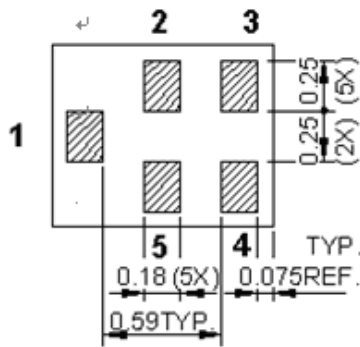


All tolerances are +/-0.05 mm unless otherwise specified

Coplanarity : 0.1 mm max.

1 to 5 : Pin No.

Unit : mm



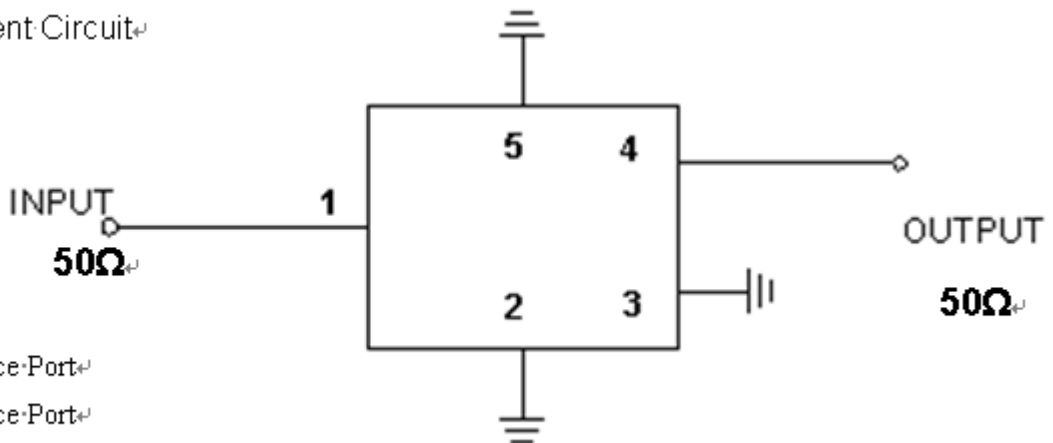
Pin-No.	Symbol	Function
1	IN	Input
2	GND	Ground
3	GND	Ground
4	OUT	Output
5	GND	Ground

Δ : Year/Month Code (Follow the table)

YEAR/Month	1	2	3	4	5	6	7	8	9	10	11	12
2013	A	B	C	D	E	F	G	H	J	K	L	M
2014	N	P	Q	R	S	T	U	V	W	X	Y	Z
2015	a	b	c	d	e	f	g	h	j	k	l	m
2016	n	p	q	r	s	t	u	v	w	x	y	z
2017	<u>A</u>	<u>B</u>	<u>C</u>	<u>D</u>	<u>E</u>	<u>F</u>	<u>G</u>	<u>H</u>	<u>J</u>	<u>K</u>	<u>L</u>	<u>M</u>
2018	<u>N</u>	<u>P</u>	<u>Q</u>	<u>R</u>	<u>S</u>	<u>T</u>	<u>U</u>	<u>V</u>	<u>W</u>	<u>X</u>	<u>Y</u>	<u>Z</u>
2019	<u>a</u>	<u>b</u>	<u>c</u>	<u>d</u>	<u>e</u>	<u>f</u>	<u>g</u>	<u>h</u>	<u>i</u>	<u>k</u>	<u>l</u>	<u>m</u>
2020	<u>n</u>	<u>p</u>	<u>q</u>	<u>r</u>	<u>s</u>	<u>t</u>	<u>u</u>	<u>v</u>	<u>w</u>	<u>x</u>	<u>y</u>	<u>z</u>

E. MEASUREMENT CIRCUIT:

Measurement Circuit

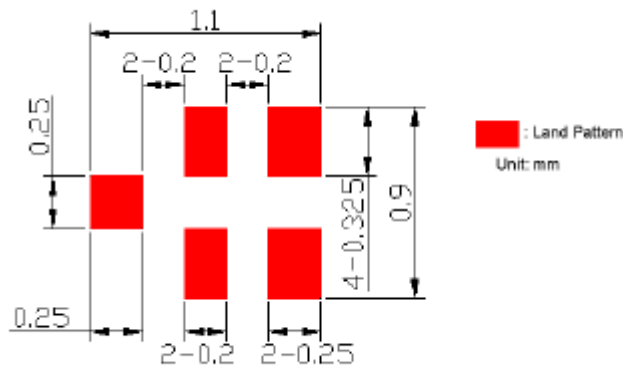


(1): Unbalance Port

(4): Unbalance Port

Others: Ground

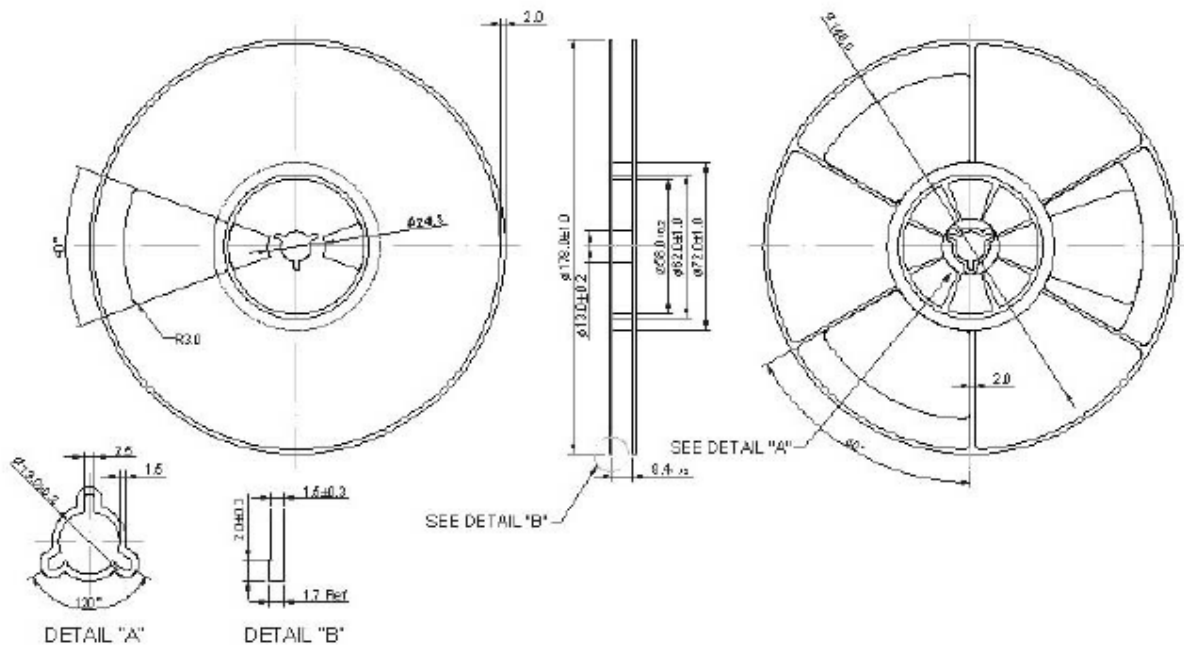
F. FOOT PRINT :



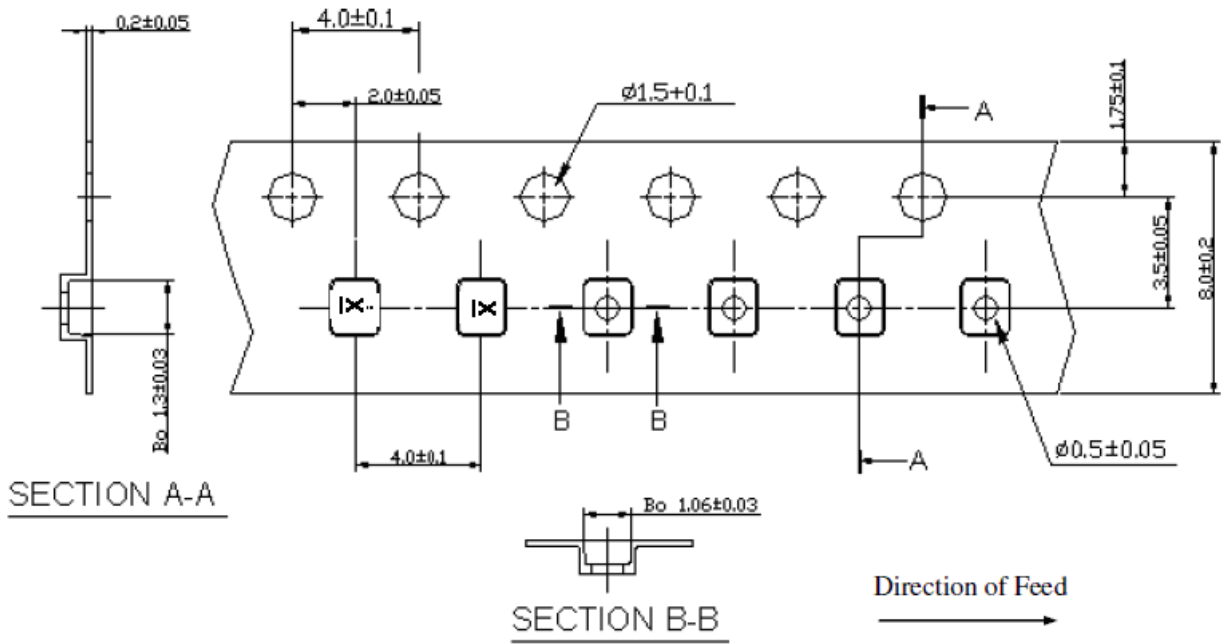
G. PACKING:

1. REEL DIMENSION

(Please refer to FR-75D10 for packing quantity)



2. TAPE DIMENSION



G. RECOMMENDED REFLOW PROFILE :

1. Preheating shall be fixed at $150 \sim 180^\circ\text{C}$ for $60 \sim 90$ seconds.
2. Ascending time to preheating temperature 150°C shall be 30 seconds min.
3. Heating shall be fixed at 220°C for $50 \sim 80$ seconds and at $260^\circ\text{C} +0/-5^\circ\text{C}$ peak ($20 \sim 40$ sec).
4. Time: 2 times.

