



## BUP系列

电容品牌：BIGCAP®  
 引出方式：导针引出  
 标称容量：0.5F~500F  
 额定电压：2.8V  
 计量单位：只  
 外型结构：圆柱  
 耐温性能：-40°C~+65°C

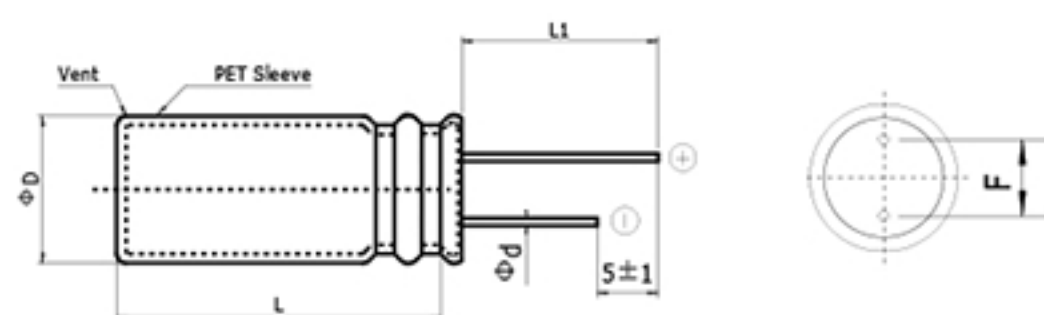
产品参数表

产品特点

产品应用

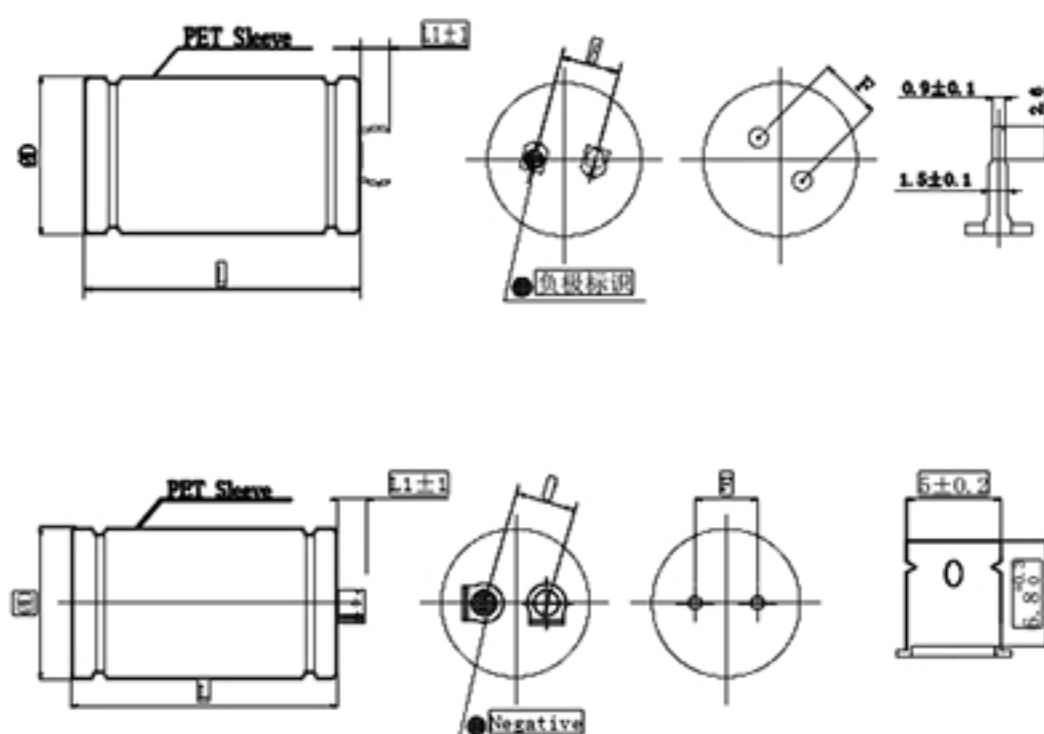
产品性能

导针型超级电容器示意图：



型号 Part Number	额定电压 Nominal Voltage ,V dc	容量 Capacitance F	容量 允许偏差 Cap.olerance	内阻 ESR , mΩ		尺寸 Size , mm			
				AC@1kHz	DC	φD×L	φd	F	L1
BUP002R8L504FA	2.8	0.5	±20%	800	1200	5×9.8	0.5	2	28
BUP002R8L105FB	2.8	1	±20%	450	675	6.3×12	0.5	2.5	28
BUP002R8L105FC	2.8	1	±20%	400	600	6.3×9.8	0.5	2.5	28
BUP002R8L105FD	2.8	1	-40%—0	550	825	5×12	0.5	2	28
BUP002R8L105FG	2.8	1	-40%—0	550	825	5×12	0.5	2	28
BUP002R8L155FA	2.8	1.5	±20%	350	525	6.3×12	0.5	2.5	28
BUP002R8L205FA	2.8	2	±20%	300	450	8×13	0.6	3.5	30
BUP002R8L355FA	2.8	3.5	±20%	70	105	8×19	0.6	3.5	30
BUP002R8L455FA	2.8	4.5	±20%	90	135	8×19	0.6	3.5	30
BUP002R8L505FA	2.8	5	±20%	70	105	8×24	0.6	3.5	30
BUP002R8L705FA	2.8	7	±20%	80	120	10×20	0.6	5	30
BUP002R8L705FB	2.8	7	±20%	65	97.5	10×20	0.6	5	30
BUP002R8L805FA	2.8	8	±20%	45	67.5	8×32	0.6	3.5	30
BUP002R8L805FB	2.8	8	±20%	55	82.5	10×20	0.6	5	30
BUP002R8L106FA	2.8	10	±20%	65	97.5	10×25	0.6	5	30
BUP002R8L106FB	2.8	10	±20%	55	82.5	12.5×21	0.6	5	28
BUP002R8L126FA	2.8	12	±20%	60	90	10×27	0.6	5	30
BUP002R8L166FA	2.8	16	±20%	45	67.5	12.5×21	0.6	5	28
BUP002R8L166FC	2.8	16	±20%	40	60	12.5×26	0.6	5	30
BUP002R8L166FD	2.8	16	±20%	40	60	12.5×34	0.6	5	30
BUP002R8L186FA	2.8	18	±20%	40	60	12.5×26	0.6	5	30
BUP002R8L206FA	2.8	20	±20%	30	45	12.5×34	0.6	5	30
BUP002R8L206FC	2.8	20	±20%	40	60	16×20	0.8	7.5	30
BUP002R8L226FA	2.8	22	±20%	30	45	16×21	0.8	7.5	30
BUP002R8L256FA	2.8	25	±20%	40	60	16×26	0.8	7.5	30
BUP002R8L256FB	2.8	25	±20%	40	60	16×26	0.8	7.5	30
BUP002R8L256FD	2.8	25	±20%	40	60	18×21	0.8	8	30
BUP002R8L306FA	2.8	30	±20%	35	52.5	12.5×34	0.6	5	30
BUP002R8L306FB	2.8	30	±20%	35	52.5	16×26	0.8	7.5	30
BUP002R8L356FA	2.8	35	±20%	35	52.5	16×34	0.8	7.5	30
BUP002R8L406FA	2.8	40	±20%	33	49.5	16×34	0.8	7.5	30
BUP002R8L506FA	2.8	50	±20%	30	45	16×34	0.8	7.5	30
BUP002R8L606FC	2.8	60	±20%	30	45	18×34	0.8	8	30
BUP002R8L706FA	2.8	70	±20%	30	45	18×41	0.8	8	30
BUP002R8L107FA	2.8	100	±20%	20	30	18×45	0.8	8	30

盖板型超级电容器示意图：



型号 Part Number	额定电压 Nominal Voltage ,V dc	容量 Capacitance F	容量 允许偏差 Cap.olerance	内阻 ESR , mΩ		尺寸 Size , mm		
				AC@1kHz	DC	Size , mm	Weight	Volume
BUP002R8S127FA	2.8	120	±20%	12	14	22.4×45.5	21	17.93
BUP002R8S227FA	2.8	220	±20%	10	12	30.6×50.0	38	36.75
BUP002R8S277FA	2.8	270	±20%	8	9	30.6×50.0	45	36.75
BUP002R8S407FA	2.8	400	±20%	8	9	35.6×61.5	70	61.19
BUP002R8C407FB	2.8	400	±20%	8	9	35.6×61.5	70	61.19
BUP002R8C407FA	2.8	400	±20%	3	4	35.6×61.5	70	61.19
BUP002R8C507FA	2.8	500	±20%	2.8	4	35.6×68	80	67.65
BUP002R8C507FB	2.8	500	±20%	6	7	35.6×68	80	67.65