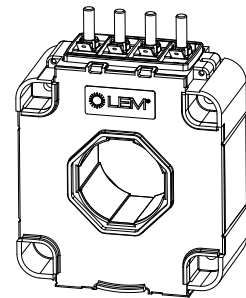


## Current Transducer LTC 600-S

For the electronic measurement of currents: DC, AC, pulsed..., with galvanic separation between the primary circuit and the secondary circuit.



$$I_{PN} = 500 \text{ A}$$



### Electrical data

$I_{PN}$	Primary nominal RMS current	500	A
$I_{PM}$	Primary current, measuring range @ $\pm 24 \text{ V}$	0 ... $\pm 1500$	A
$\hat{I}_{Pmax}$	Primary withstand peak current (maximum)	10/10	kA/ms
$R_M$	Measuring resistance with $\pm 15 \text{ V}$	@ $\pm 500 \text{ A}_{max}$	$R_{Mmin}$ 0 $R_{Mmax}$ 70 $\Omega$
		@ $\pm 1200 \text{ A}_{max}$	0    5 $\Omega$
	with $\pm 24 \text{ V}$	@ $\pm 500 \text{ A}_{max}$	0    150 $\Omega$
		@ $\pm 1500 \text{ A}_{max}$	0    20 $\Omega$
$I_{SN}$	Secondary nominal RMS current	100	mA
$N_P/N_S$	Turns ratio	1 : 5000	
$U_C$	Supply voltage ( $\pm 5 \%$ )	$\pm 15 \dots 24$	V
$I_C$	Current consumption	$< 32 (@ \pm 24 \text{ V}) + I_S$	mA

### Accuracy - Dynamic performance data

$\epsilon_{tot}$	Total error @ $I_{PN}, T_A = 25 \text{ }^\circ\text{C}$ @ $I_{PN}, T_A = -40 \text{ }^\circ\text{C} \dots +85 \text{ }^\circ\text{C}$	$< \pm 0.7$	%
		$< \pm 1.6$	%
$\epsilon_L$	Linearity error	$< 0.1$	%
		Max	
$I_O$	Offset current @ $I_P = 0, T_A = 25 \text{ }^\circ\text{C}$	$\pm 0.5$	mA
$I_{OT}$	Temperature variation of $I_O$ $-40 \text{ }^\circ\text{C} \dots +85 \text{ }^\circ\text{C}$	$\pm 1$	mA
$t_{D90}$	Delay time to 90 % of the final output value for $I_{PN}$ step <sup>1)</sup>	$< 1$	$\mu\text{s}$
$BW$	Frequency bandwidth ( $-1 \text{ dB}$ )	DC ... 100	kHz

### General data

$T_A$	Ambient operating temperature	$-40 \dots +85$	$^\circ\text{C}$
$T_{Ast}$	Ambient storage temperature	$-45 \dots +90$	$^\circ\text{C}$
$R_S$	Resistance of secondary winding @ $T_A = 85 \text{ }^\circ\text{C}$	44	$\Omega$
$m$	Mass	750	g
	Standards	EN 50155: 2017 <sup>2)</sup> UL 508: 2010	

Notes: <sup>1)</sup> For a  $di/dt = 100 \text{ A}/\mu\text{s}$

<sup>2)</sup> Additional information available on request.

### Features

- Closed loop (compensated) current transducer using the Hall effect
- Insulating plastic case recognized according to UL 94-V0.

### Advantages

- Excellent accuracy
- Very good linearity
- Low temperature drift
- Optimized response time
- Wide frequency bandwidth
- No insertion losses
- High immunity to external interference
- Current overload capability.

### Applications

- Single or three phase inverters
- Propulsion and braking choppers
- Propulsion converters
- Auxiliary converters
- Battery chargers.

### Application Domain

- Railway (fixed installations and onboard).

**Current Transducer LTC 600-S**

Insulation coordination			
$U_d$	RMS voltage for AC insulation test, 50 Hz, 1 min	13.4 <sup>1)</sup>	kV
		1.5 <sup>2)</sup>	kV
$U_e$	Partial discharge extinction RMS voltage @ 10 pC	> 2.8	kV
		Min	
$d_{Cp}$	Creepage distance	66.7	mm
$d_{Cl}$	Clearance	45.9	mm
$CTI$	Comparative tracking index (group I)	600	

**Notes:** <sup>1)</sup> Between primary and secondary + shield  
<sup>2)</sup> Between secondary and shield.

**Safety**

This transducer must be used in limited-energy secondary circuits according to IEC 61010-1.



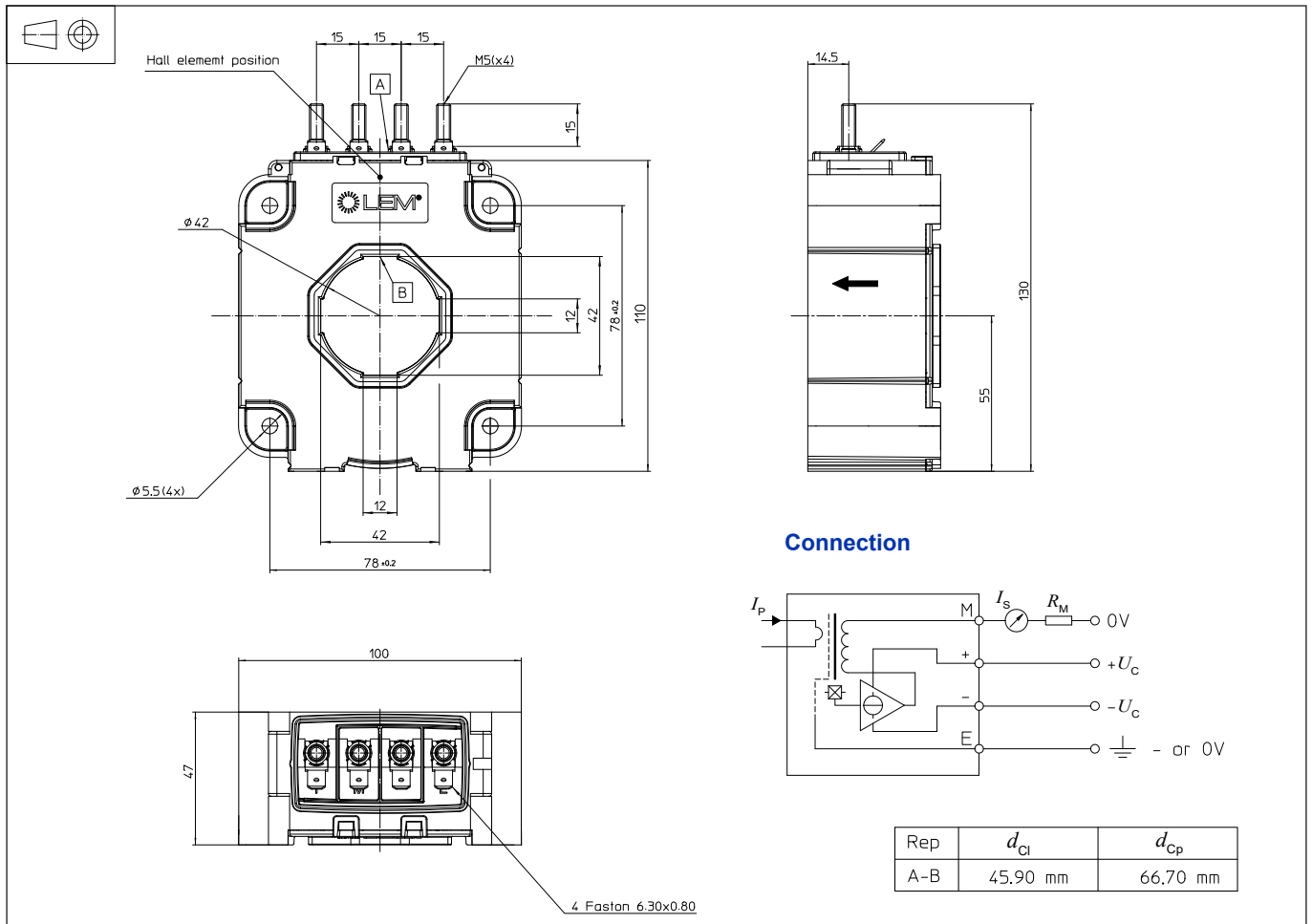
This transducer must be used in electric/electronic equipment with respect to applicable standards and safety requirements in accordance with the manufacturer's operating instructions.



Caution, risk of electrical shock

When operating the transducer, certain parts of the module can carry hazardous voltage (eg. primary busbar, power supply).  
 Ignoring this warning can lead to injury and/or cause serious damage.  
 This transducer is a build-in device, whose conducting parts must be inaccessible after installation.  
 A protective housing or additional shield could be used.  
 Main supply must be able to be disconnected.

## Dimensions LTC 600-S (in mm)



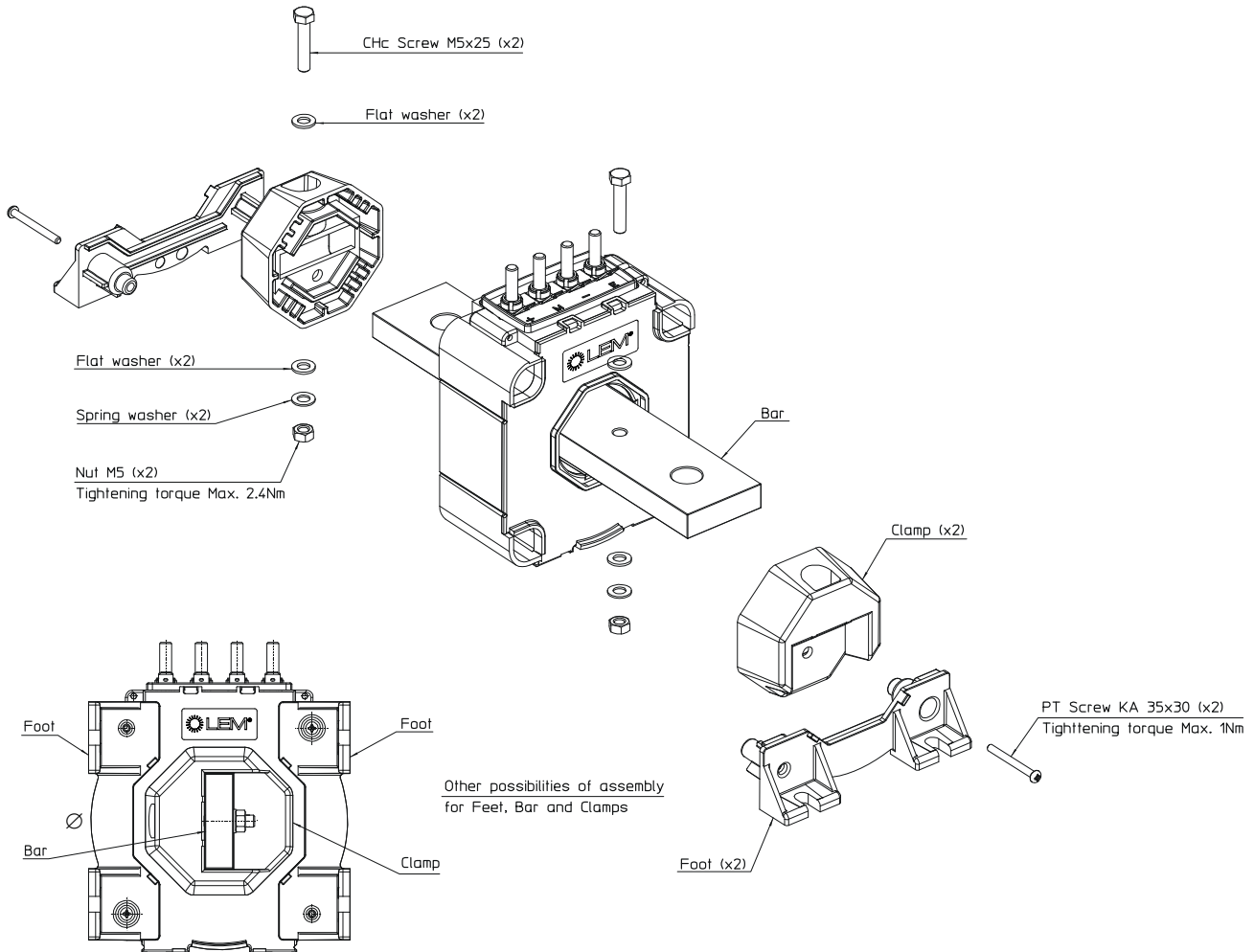
### Mechanical characteristics

- General tolerance  $\pm 1$  mm
- Transducer fastening
  - 4 holes  $\phi 5.5$  mm
  - 4 M5 screws
  - Recommended fastening torque 4 N·m
- Primary through-hole  $\phi 42$  mm
- Connection of secondary
  - 4 M5 threaded studs
  - Recommended fastening torque 2.2 N·m
  - Faston  $6.3 \times 0.8$  mm

### Remarks

- $I_s$  is positive when  $I_p$  flows in the direction of the arrow.
- Temperature of the primary conductor should not exceed 100 °C.
- Installation of the transducer must be done unless otherwise specified on the datasheet, according to LEM Transducer Generic Mounting Rules. Please refer to LEM document N°ANE120504 available on our Web site: <https://www.lem.com/en/file/3137/download/>.
- Dynamic performances ( $di/dt$  and delay time) are best with a single bar completely filling the primary hole.
- This is a standard model. For different versions (supply voltages, turns ratios, unidirectional measurements...), please contact us.

## LTC 600-S / Mechanical adaptation accessories



Lines	Accessories	References
1	Busbar KIT * (busbar : 210 × 40 × 12 mm)	93.34.61.100.0
2	Busbar KIT * (busbar : 185 × 40 × 8 mm)	93.34.61.102.0
3	Busbar KIT * (busbar : 285 × 36 × 12 mm)	93.34.61.103.0
4	Busbar KIT * (busbar : 260 × 36 × 12 mm)	93.34.61.104.0
5	Busbar KIT * (busbar : 195 × 36 × 10 mm)	93.34.61.105.0
6	Busbar KIT * (busbar : 36 mm $\varnothing$ × 325 mm)	93.34.61.106.0
7	Busbar KIT * (busbar : 185 × 40 × 10 mm)	93.34.61.107.0
8	Busbar KIT * (busbar : 180 × 40 × 12 mm)	93.34.61.108.0
9	Busbar Fastening Kit (M5 × 25)** dedicated to busbars from lines 1 to 5 and lines 7, 8.	93.34.61.200.0
10	Busbar Fastening Kit (M5 × 40)** dedicated to busbar from line 6	93.34.61.201.0
11	Feet fixing Kit ***	93.34.63.100.0

\* including all the necessary for its mounting such as screws, washers, nuts, 2 clamps, busbar.

\*\* as with \* but without the busbar.

\*\*\* including screws and 2 feet.



RMS voltage value for partial discharge extinction depends on the busbar. Refer to the datasheet of the corresponding product.